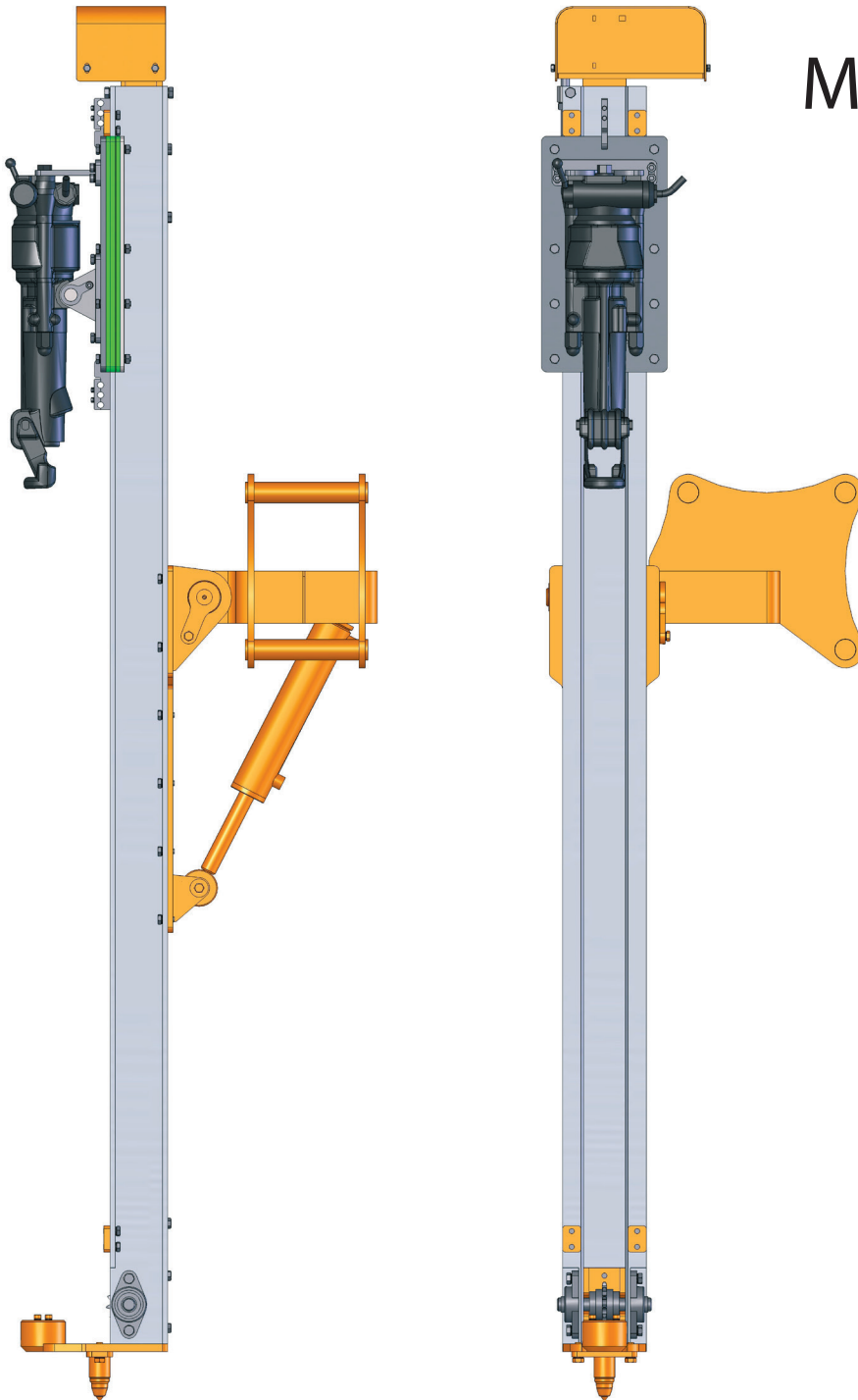


# MiniDrill BBD 94

## Drilling Attachment



## Drilling attachment

Type		MiniDrill		
Length	Total length	mm (ft)	2670	(8,8)
	Transportation length	mm (ft)	1600	(5,2)
Width		mm (ft)	681	(2,2)
Height		mm (ft)	615	(2)
Weight		kg (lb)	200	(440)
Max. FeedForce	at 175 bar (2538 psi)	kN (lbf)	3,75	(843)
Max. FeedSpeed	at 25 LPM (6,6 gpm)	m/s ft/s	1,3	(4,3)
Cross Tilting		°	+/-20	

## Drifter

Type		Atlas Copco BBD 94		
Air consumption at 6 bar (87 psi)		l/s (gps)	97	(26)
	Piston diameter	mm (in)	90	(3,54)
Stroke length		mm (in)	45	(1,77)
Impact rate at 6 bar (87 psi)		Hz	55	
Overall length		mm (ft)	653	(2,1)
Weight		kg (lb)	26	(57)
Hole diameters		mm (in)	27-41	(1 1/16 - 1 5/8)
Chuck, hex shank std		mm (in)	22 X 108	(7/8 X 4 1/4)

## Noise & Vibration Declaration Statement

Sound pressure level	db (A)	119
in accordance with ISO 11201		

## Vibration Declaration Statement

Vibration level	s2	23
in accordance with ISO 8662		

## Optional equipment

Mounting Kit for excavator