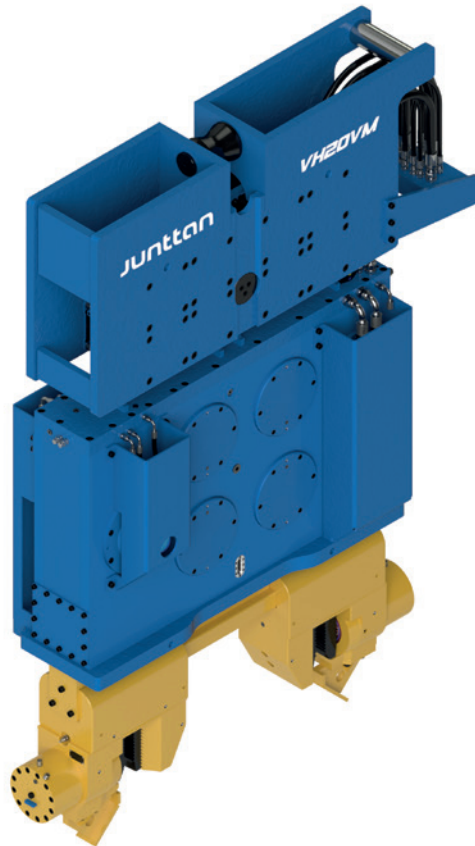


VH20VM

Free-hanging Vibratory Hammer



Suitable near existing foundations, bridge abutments and historical buildings for optimal protection from vibrations.

Ultimate control is achieved with the cutting-edge VH VM models (Vibratory Hammers with Variable Moment). The innovative variable motor allows for the adjustment of amplitude and eccentric moment for precise customization from minimum to maximum levels. Our innovative technology ensures that the position of the eccentric masses align with the start and stop of the vibration, eliminating resonance and enabling the vibration to reach its maximum frequency. Powered by Junttan vibratory Power Pack models (PP series), the VH VM models significantly reduce disturbance to the surrounding soils, ensuring a smooth and efficient operation.

Key features

- ✓ Maximum performance with minimum ground vibration
- ✓ Ideal for urban job sites or in areas sensitive to vibration
- ✓ Resonance-free start and stop
- ✓ Ideal for sandy soils
- ✓ Optimal adaptation to soil conditions
- ✓ A wide range of clamping solutions

Technical data

Technical Specifications

UNIT	METRIC	US
ECCENTRIC MOMENT	0 – 20 KGM	0 – 1736 IN/LBS
CENTRIFUGAL FORCE MAX.	1166 KN	131 TONS
FREQUENCY	2300 RPM	2300 RPM
OIL FLOW	500 L/MIN	132 GPM
POWER	292 KW	392 HP
AMPLITUDE	13 MM	0.5 IN
PULLING FORCE MAX.	471 KN	53 TONS

Weight and Dimensions

UNIT	METRIC	US
DYNAMIC WEIGHT W/O CLAMP	3000 KG	6614 LBS
TOTAL WEIGHT W/O CLAMP	4280 KG	9436 LBS
LENGTH / L1	2080 MM	82 IN
LENGTH / L2	1840 MM	72 IN
LENGTH / L3	2002 MM	79 IN
HEIGHT / H1	2115 MM	83 IN
HEIGHT / H2	3005 MM	118 IN
WIDTH / W1	380 MM	15 IN
WIDTH / W2	635 MM	25 IN
WIDTH / W3	380 MM	15 IN
THROAT WIDTH	360 MM	14.2 IN

Recommended Clamp Type for Sheet Piles / SC165

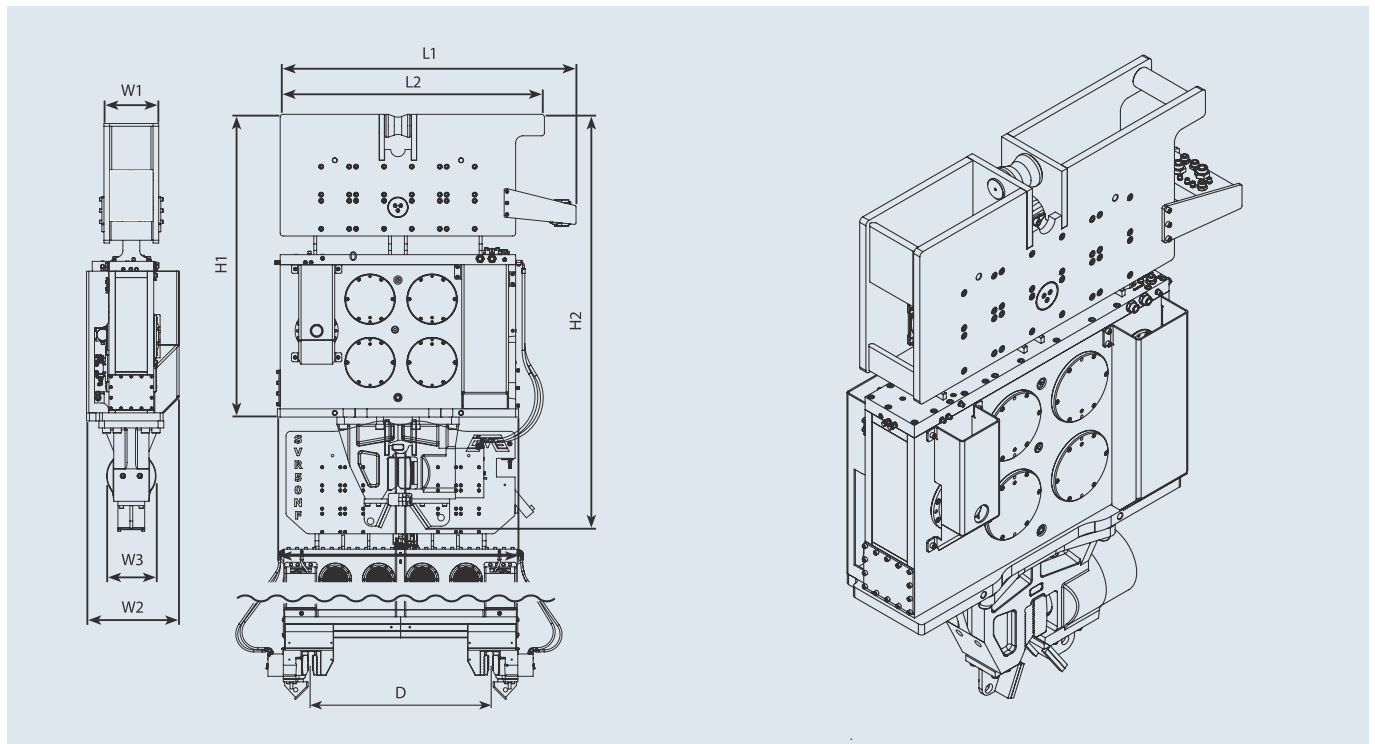
UNIT	METRIC	US
CLAMPING FORCE	1700 KN	191 TONS
WEIGHT	866 KG	1909 LBS

Recommended Clamp Type for Casing / TC80 x 2

UNIT	METRIC	US
DIAMETER (MIN. - MAX.) / D	460 – 1260 MM	18 – 50 IN
CLAMPING FORCE	814 X 2 KN	183 TONS
WEIGHT	538 X 2 KG	2372 LBS

Recommended Power Pack / PP700

UNIT	METRIC	US
OIL FLOW MAX.	729 LPM	192 GPM
PRESSURE MAX.	350 BAR	5076 PSI
OIL CAPACITY (Tier 3)	650 LITER	171 GAL
OIL CAPACITY (Stage V / Tier 4F)	750 LITER	198 GAL
DIESEL TANK CAPACITY	800 LITER	211 GAL
WIDTH	1820 MM	71 IN
LENGTH	4520 MM	178 IN
HEIGHT	2175 MM	86 IN
WEIGHT (Tier 3)	7600 KG	16755 LBS
WEIGHT (Stage V / Tier 4F)	8100 KG	17857 LBS
STAGE	MODEL	POWER
Tier 3	VOLVO TAD1352VE	394 / 536 KW/HP
Stage V / Tier 4F	VOLVO TAD1385VE	405 / 551 KW/HP



FOR FURTHER INFORMATION, PLEASE CONTACT:

Junttan Oy, sales@junttan.com, www.junttan.com

Junttan