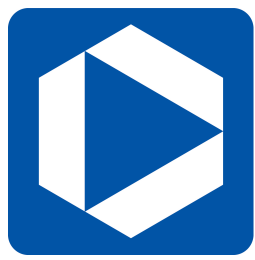




XC - 150F





XCMG

CONTACT US TODAY 855 JUNTTAN



XC-45 (w /LH Option)

XC-45

XC-65 (W/LH Option)

XC-65

XC-85 (W/LH Option)

XC-85

ENGINE	CUMMINS QSB 6.7	CUMMINS QSB 6.7	CUMMINS QSB 6.7	CUMMINS QSB 6.7	CUMMINS L 9	CUMMINS L 10
POWER	224 kw / 300 HP T4F	224 kw / 300 HP T4F	224 kw / 300 HP T4F	224 kw / 300 HP T4F	272 kW / 365 HP T4F	272 kW / 365 HP T4F
TORQUE (kNm / FT-LB)	130 kNm / 95,885	130 kNm / 95,885	200 kNm / 147,512	200 kNm / 147,512	240 kNm / 177,015	240 kNm / 177,015
CFA / FDP	NO	NO	NO	NO	YES	YES
DRILLING DEPTH (Meters / FEET)	19 / 60	32 / 105	19 / 60	32 / 105	19 / 60	36 / 118
OPERATING WEIGHT (KG / LB)	35,000 / 78,000	45,000 / 99000	55,000 / 123000	65,000 / 143000	70,000 / 155000	85,000 / 187000



XC-95

XC-130

XC-150

XC-240

XC-350

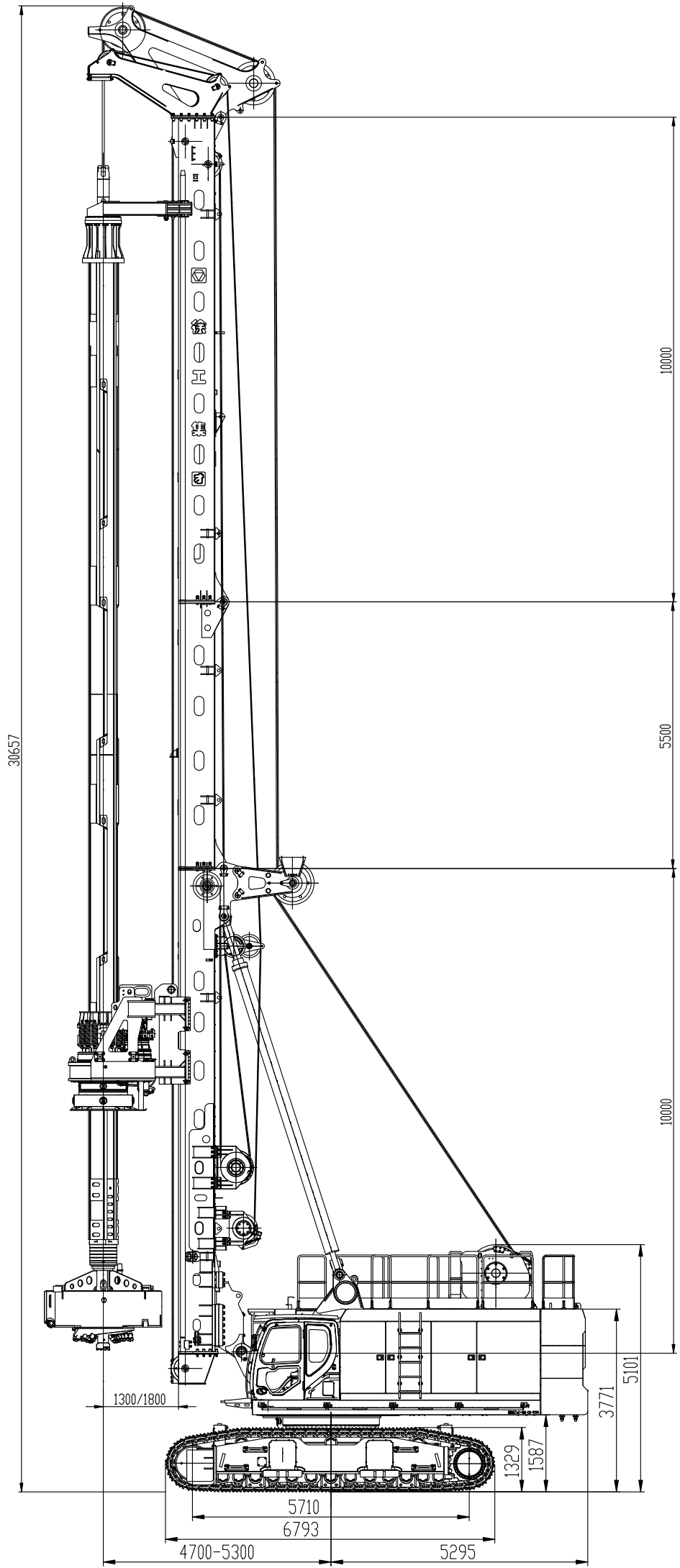
XC390

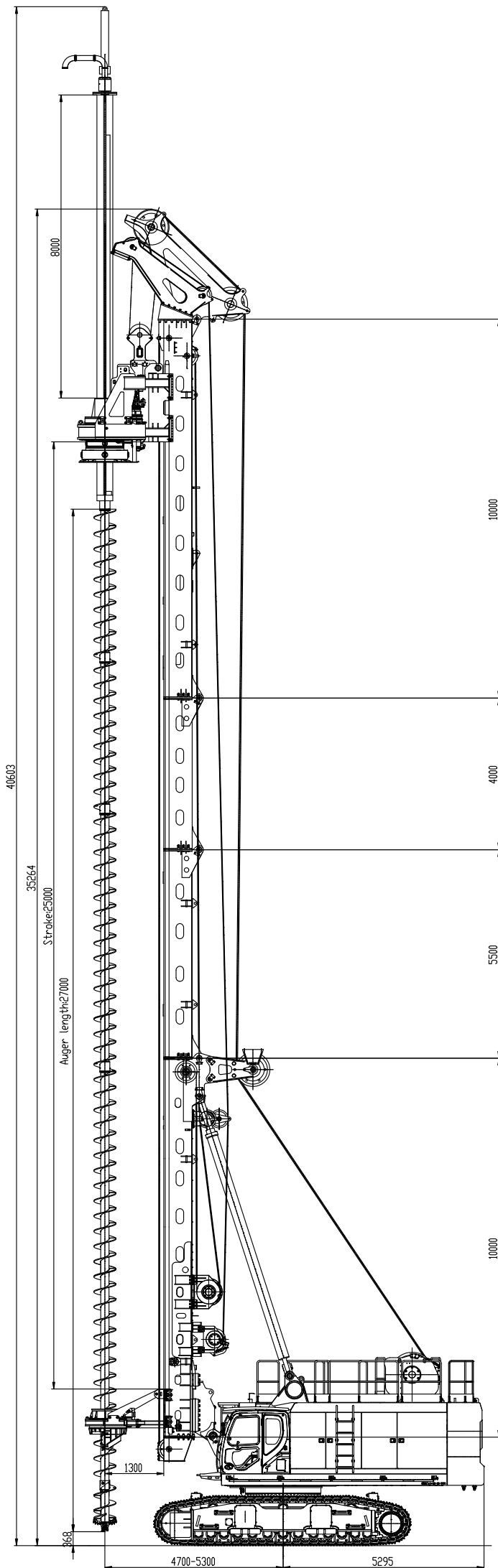
ENGINE	CUMMINS X12	CUMMINS QX15	CUMMINS QX15	CUMMINS QK19	CUMMINS QK23	CUMMINS QK23
POWER	321 Kw / 430 HP T4F	399kW / 535 HP T4F	399kW / 535 HP T4F	567kW / 760 HP	641 kW / 860 HP	706 kW / 948 HP
TORQUE (kNm / FT-LB)	320 kNm / 236,020	400 kNm / 295,025	450 kNm / 331,902	700 kNm / 516,300	800 kNm / 585,000	1200 kNm / 885,000
CFA / FDP	YES	YES	YES	YES	YES	YES
DRILLING DEPTH (Meters / FEET)	48 / 158	48 / 158	60 / 197	94 / 308	105 / 345	170 / 558
OPERATING WEIGHT (KG / LB)	95,000 / 210,000	130,000 / 286,000	150,000 / 330,000	240,000 / 529,000	320,000 / 705,500	390,000 / 859,950

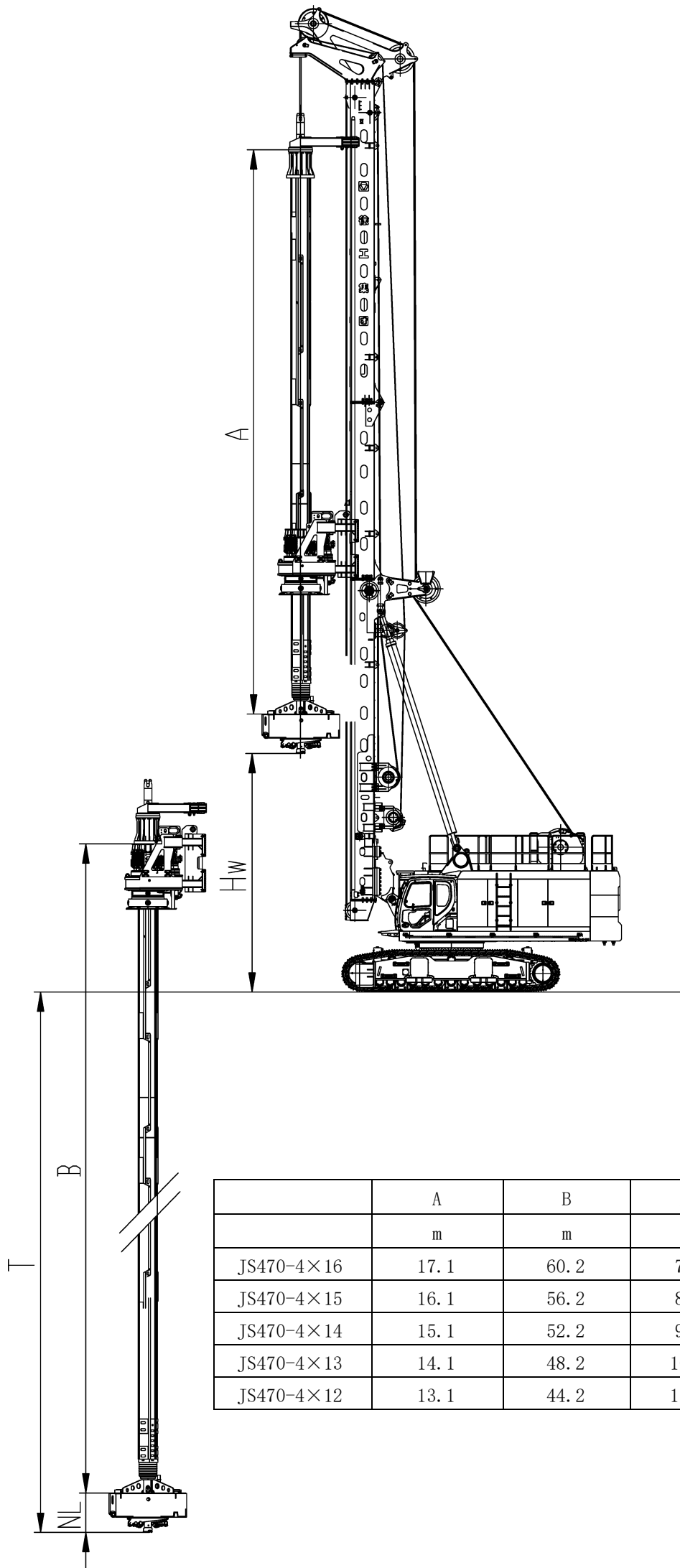


XC-150F Main Technical Parameters

Description		Unit in Metric	Unit in Imperial
Engine	Model	Cummins QSX15	
	Rated Power	399kW	535hp
Rotary Drive	Max. Torque	450kN.m	331,900lbf-ft
	Rotary Speed	7~25r/min	
	Spin Off Speed (Optional)	50r/min	
Max. Drilling Diameter	Crowd Cylinder	3000mm	118in
	Crowd Winch	2800mm	110in
Max. Drilling Depth	JS580-4×20	72m	236ft
Max. Pushing Force		400kN	44T
Max. Pulling Force		400kN	44T
Max. Stroke (Crowd Cylinder)		6m	236in
Max. Stroke (Crowd Winch)		10(16)m	394(630)in
Main Winch	Lifting Force	520kN	57T
	Max. Cable Speed	66m/min	216ft/min
	Rope Diameter	42mm	1.6in
Auxiliary Winch	Lifting Force	100kN	11T
	Max. Line Speed	65m/min	213ft/min
Undercarriage	Track Shoe Width	900mm	35in
	Overall Width (Retracted-Extended)	3700-5300mm	145-208in
	Overall Length	6787mm	267in
	Traveling Speed	1.5km/h	0.93 Mph
Operating Weight		150t	330,600lb



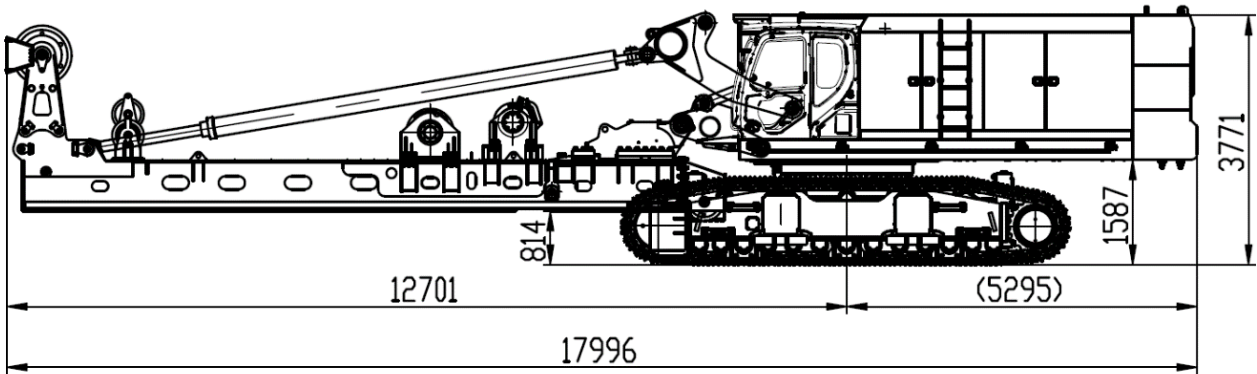




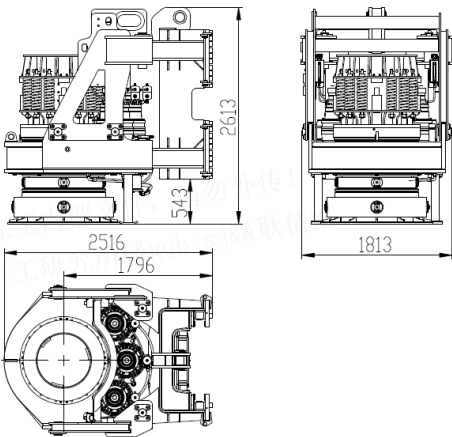
	A	B	Hw	T
	m	m	m	m
JS470-4×16	17.1	60.2	7.9	56.8
JS470-4×15	16.1	56.2	8.9	52.8
JS470-4×14	15.1	52.2	9.9	48.8
JS470-4×13	14.1	48.2	10.9	44.8
JS470-4×12	13.1	44.2	11.9	40.8

Options for Transportation

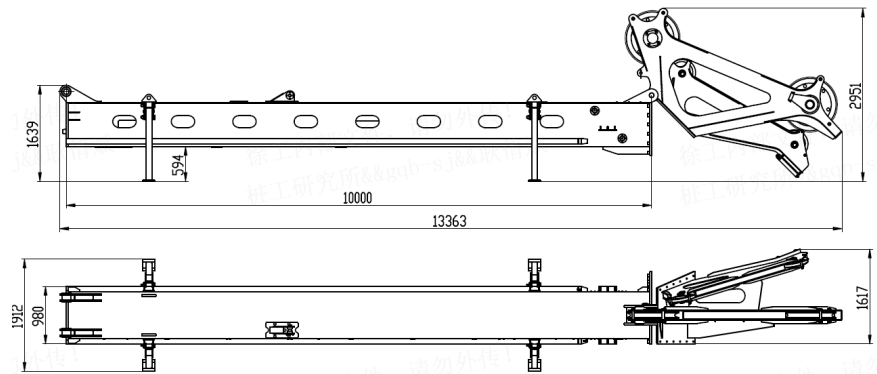
Opt. 1 - remove rotary, masthead, mast II, mast III, crowd cylinder, main winch



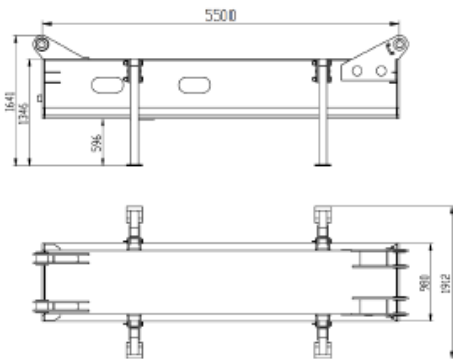
machine 108t (238,100 lbs), width:3900mm ()



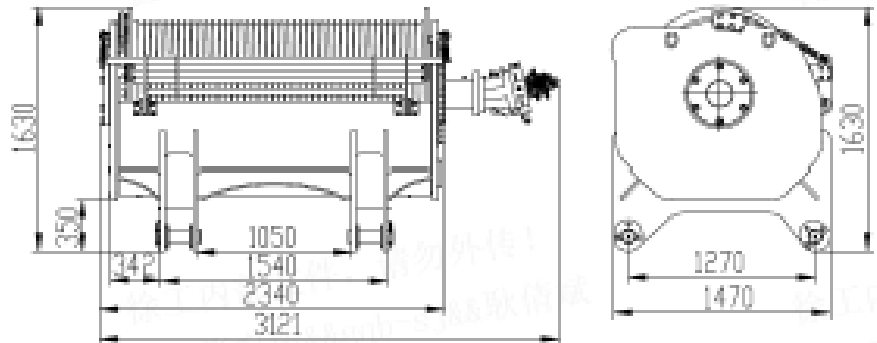
Rotary 14t (30,860 lbs)



Mast III+ masthead 5.5t+2.5t=8t (17,640 lbs)

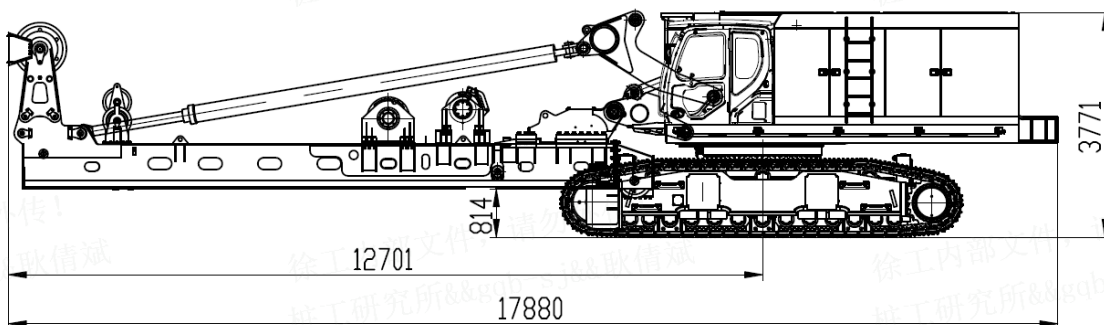


Mast II 4t (8,820 lbs)

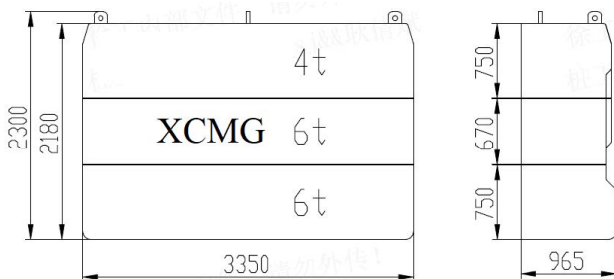


Main winch : 10t (22,050 lbs)

Opt 2 - Remove Opt 1 and Remove Counterweight

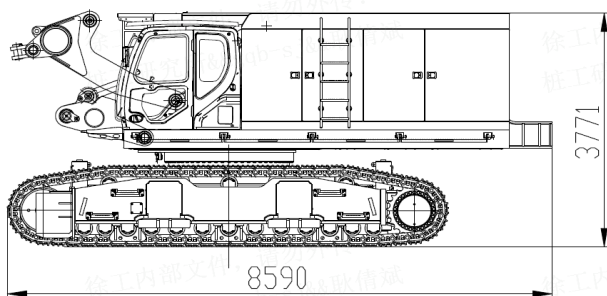


Main machine 92t (202,820 lbs), width:3900mm

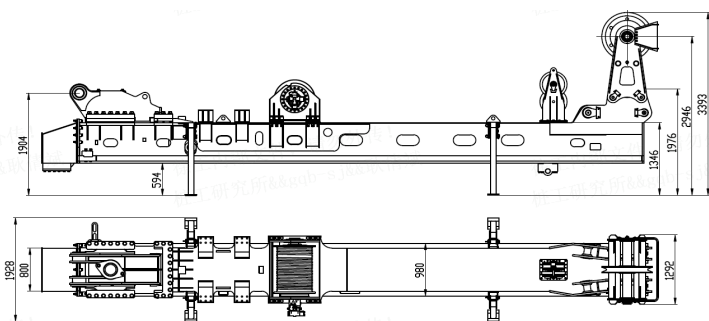


Counterweight 16t (35,270 lbs)

Opt 3 Remove opt2 + mast I (including auxiliary winch) and tilt cylinder

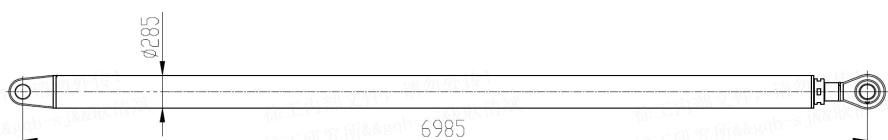


Main machine 76t (167,550 lbs), width:3700mm

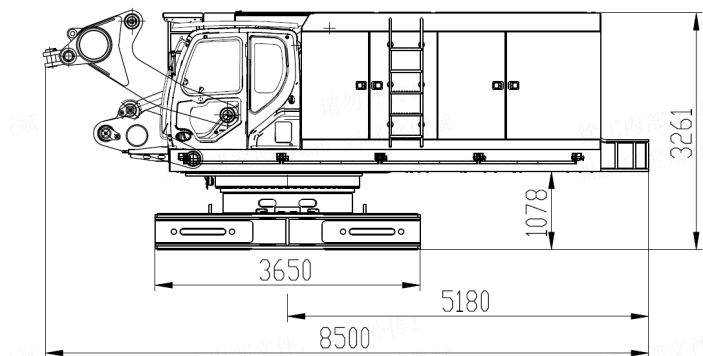


Mast I (including auxiliary winch):
10.5t+1.5t=12t (26,500 lbs)

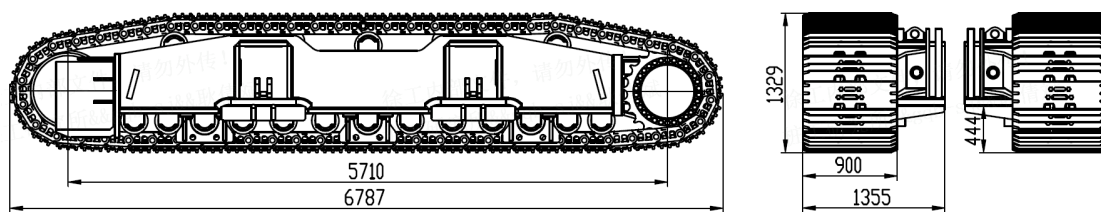
Tilt cylinder 2t×2=4t (8,820 lbs)



Opt. 4 remove opt 3 + track



Main machine 48t (105,820 lbs), width:3350 mm



Track 14t×2=28t (61,730 lbs)



Sales - Service -Rentals



- Rotary Drill Rigs
 - Kelly
 - CFA
 - FDP
- Casing
- Tooling
- Teeth



10253 STONE CREEK DRIVE, LAUREL, DE 19956 SALES-
USA@JUNTAN.COM

855 JUNTAN
JUNTAN.COM/USA/

Check us out on social media ----->



Sign up for our newsletter <-----