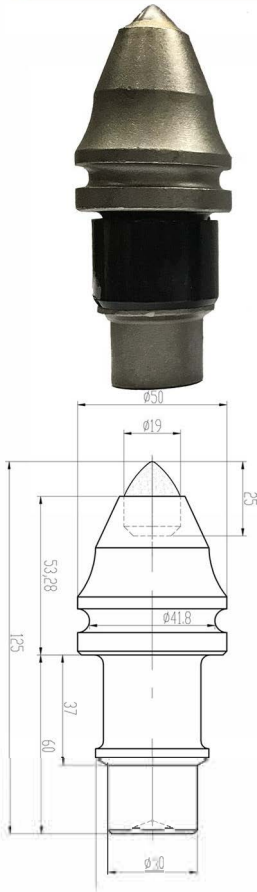
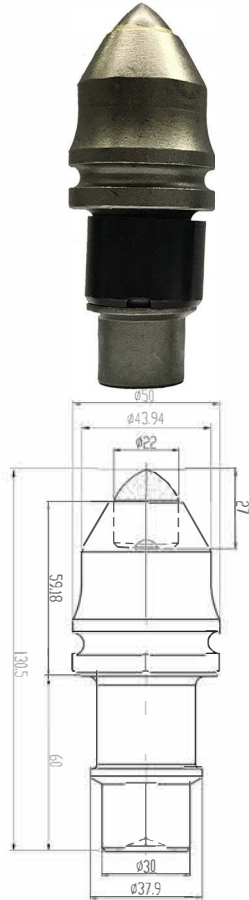


JXC/28



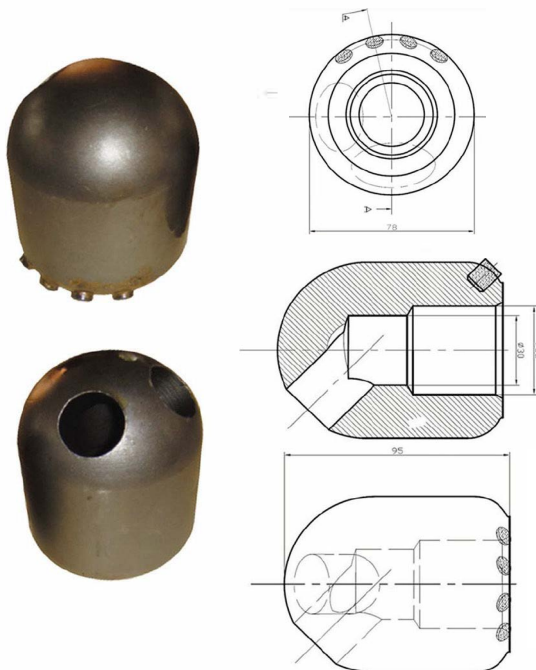
JXC/47



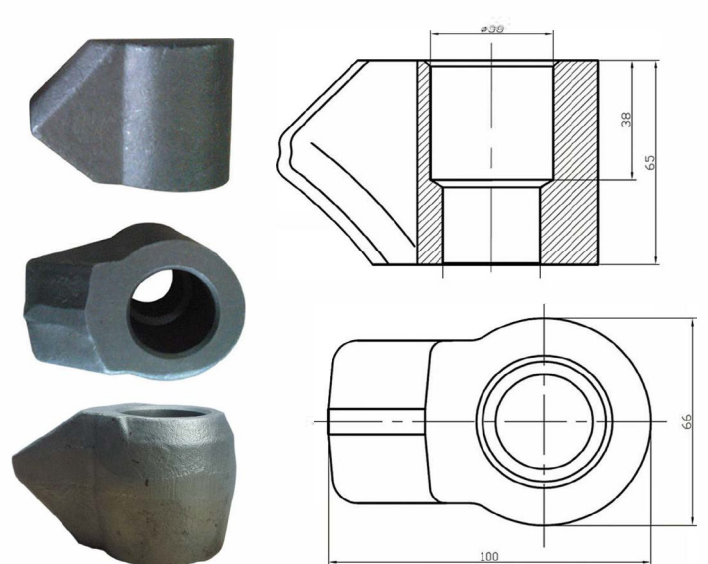
JXC/31HD



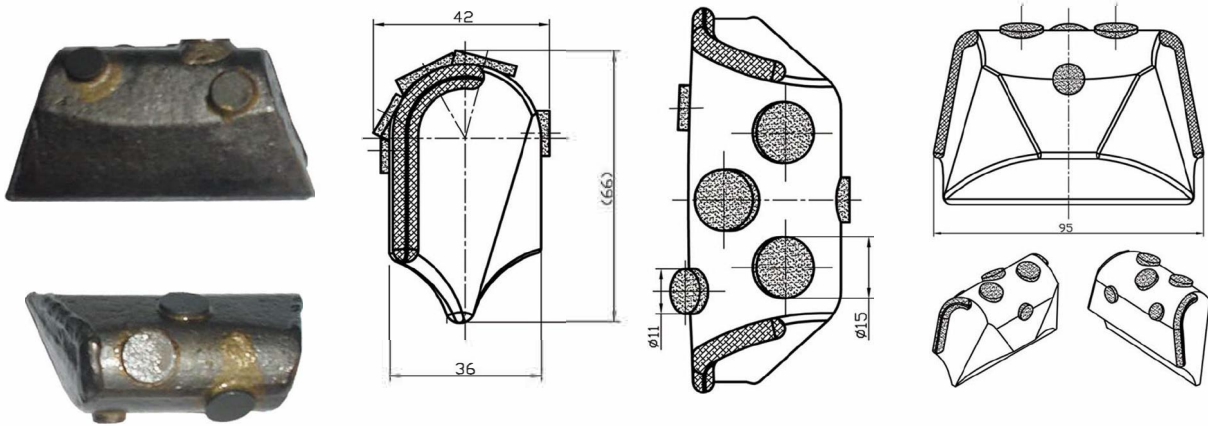
JXC85/2C (WITH CARBIDE)



F43H



JXC90-42



JXC50-26.5

JXC70-38

JXC90-35

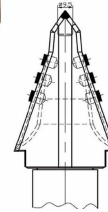
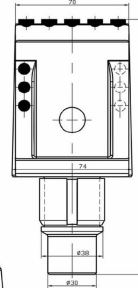
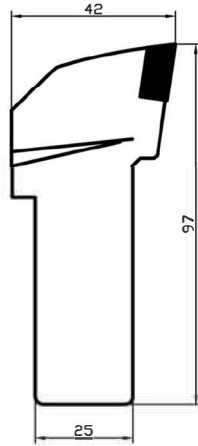
JXC55-22



JXC/7L

JXC/7

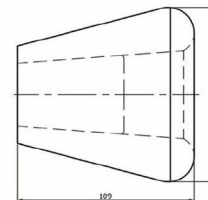
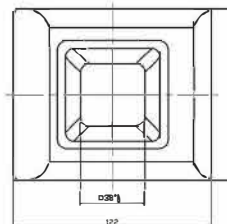
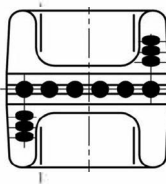
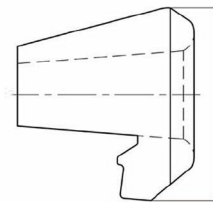
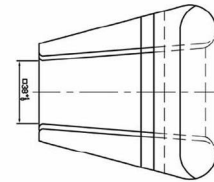
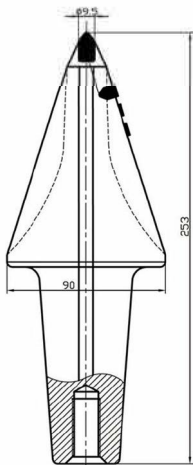
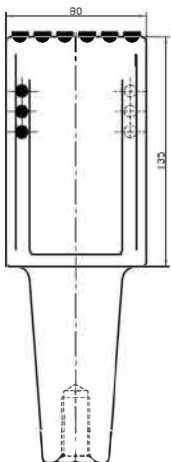
JXC/70



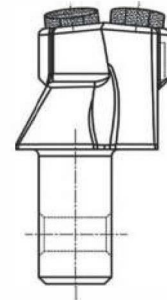
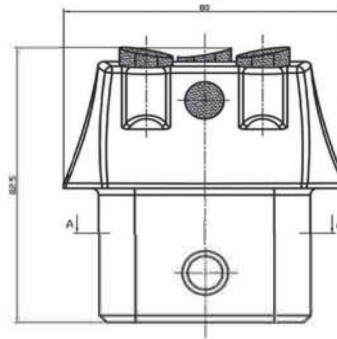
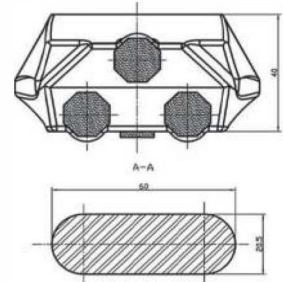
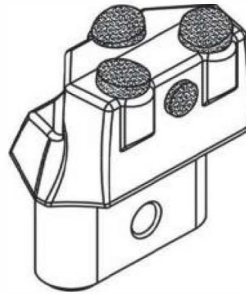
JXC/72



JXC80



JXC80-31

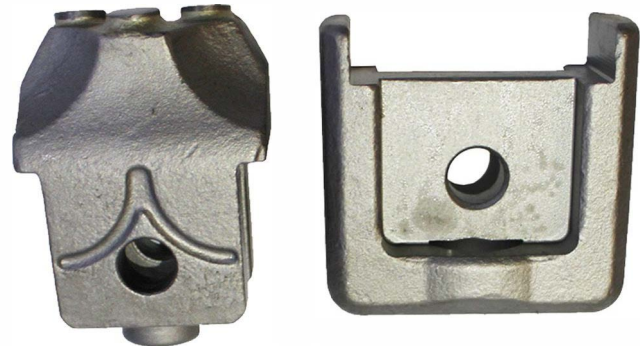


TEETH FOR CASING SHOES

JXS/39

JXS/46

JXA47



JXS20



JXC/02 (THREADED CONICAL RING)



JXC/03 CONICAL RING



JXC/08 CASING BOLTS WITH ORING

SQUARE

HEX



JXC/32 CASING LOCK



RP4 holder



204



F120H



RP4



202



Fishtail pilot



F120

