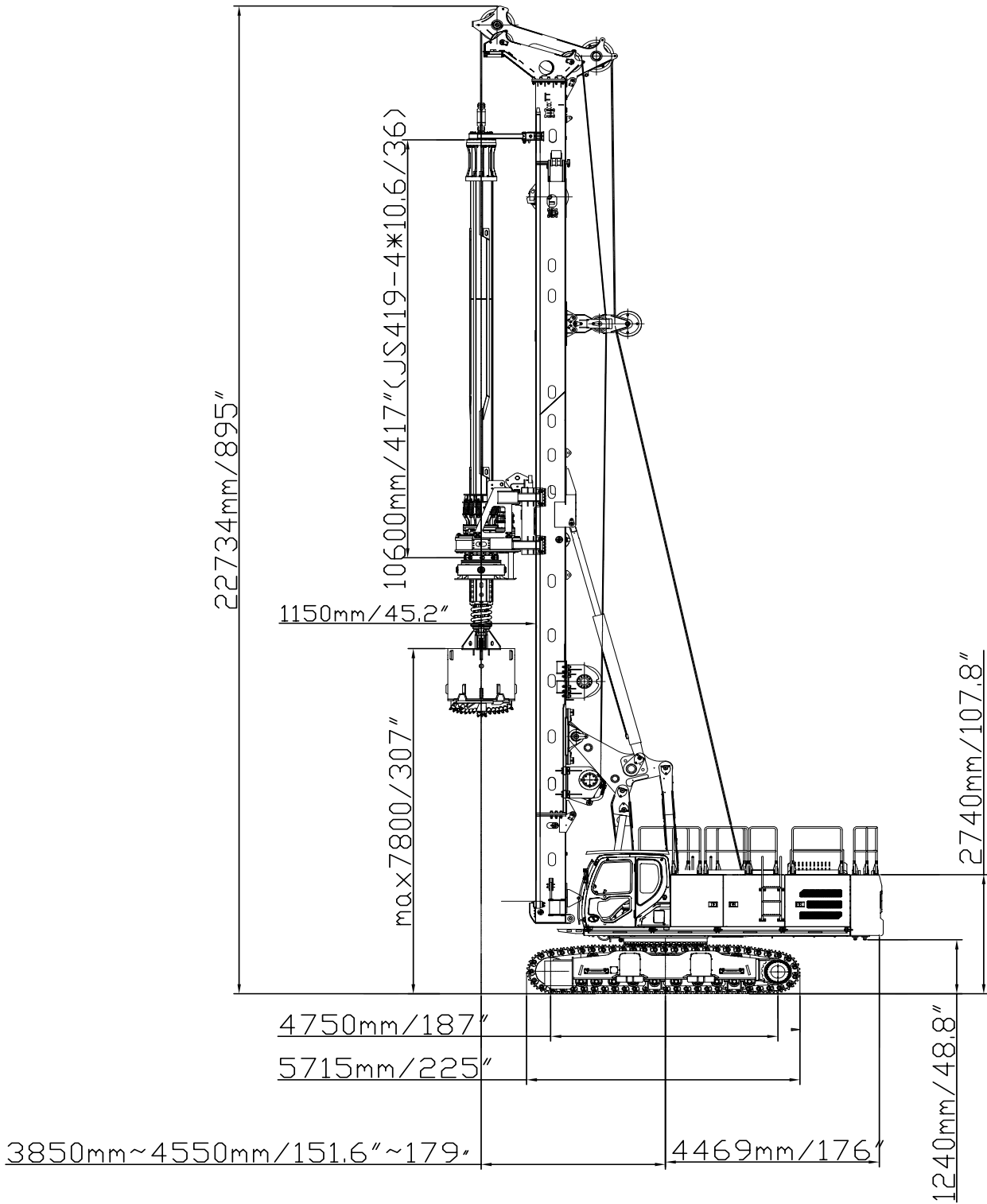


# XC-85B

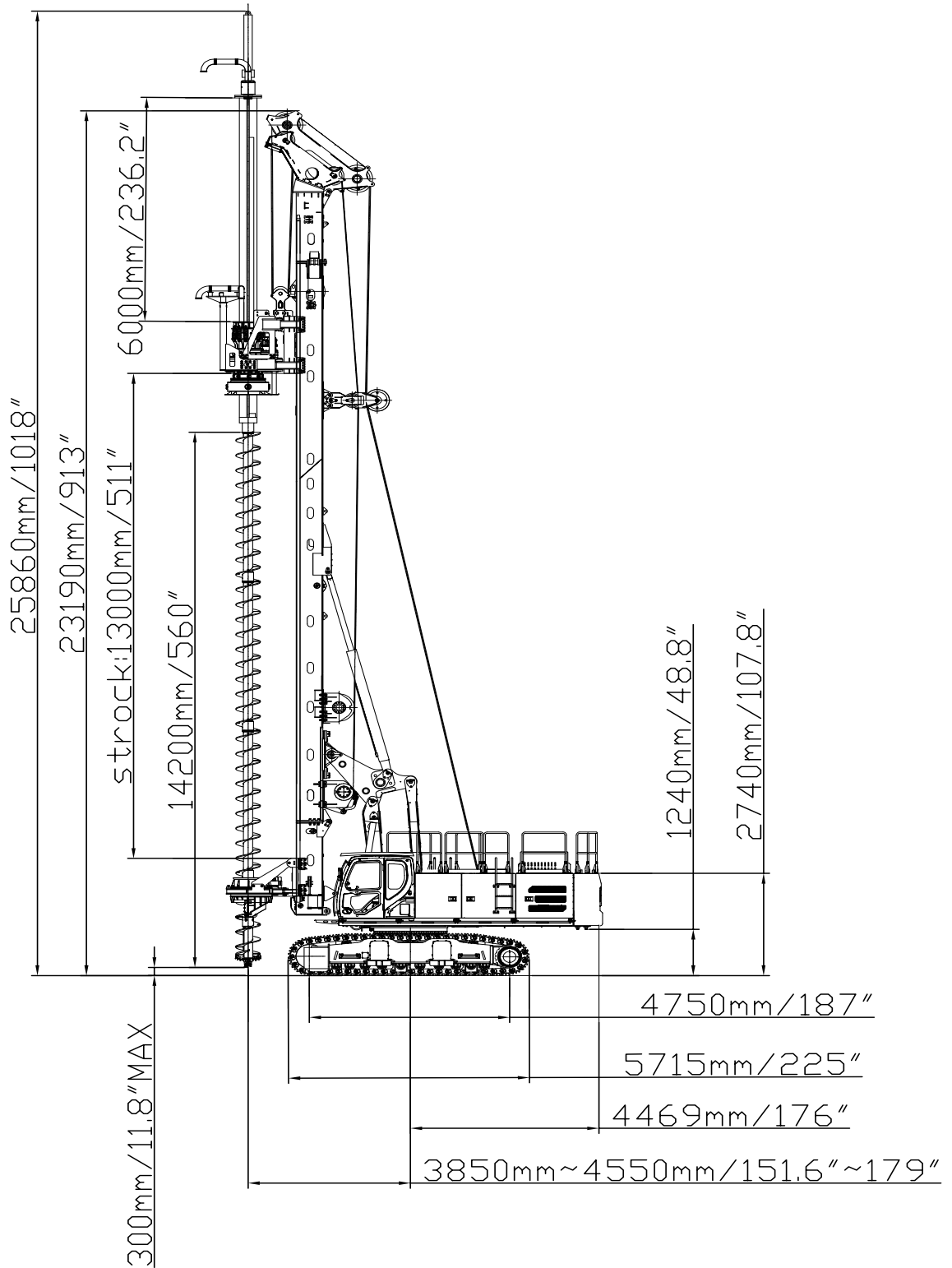


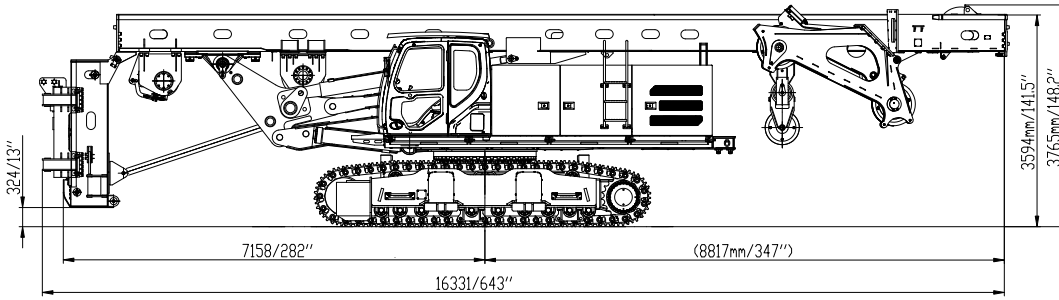
# TECHNICAL SPECIFICATIONS

Description		US Units	Metric Units
<b>Max. drilling diameter</b>		78"	2000mm
<b>Max. drilling depth</b>		183'	56 m
<b>Standard drilling depth- XK280/419/4/36</b>		118'	36 m
<b>In CFA mode with 6m extension rod and auger cleaner</b>	Max. drilling diameter	31.5"	800 mm
	Max. drilling depth	62.3'	19m
<b>Engine</b>	Model	Cummins L9	
	Rated power	338 hp	252 kW
	Emission certification	Tier 4 Final	
<b>Rotary Drive</b>	Max. torque	177,015 ft lbs	240 kN·m
	Rotary speed	7-30 r/min	
	Spin-off	90r/min	
<b>Crowd Winch</b>	Max. crowd force	27.5 T	250 kN
	Max. Lifting force	27.5 T	250 kN
	Stroke	46'	14 m
<b>Main Winch</b>	Max lifting force of the first layer	26.5 T	240 kN
	Max cable speed	230ft /min	70 m/min
<b>Auxiliary Winch</b>	Lifting force of the first layer	11 T	100 kN
	Max cable speed	230 ft /min	70 m/min
<b>Mast Inclination</b>	Back-ward/ forward/lateral	15°/5°/3°	
<b>Undercarriage</b>	Max. travel speed	1.11Mph	1.8 km/h
	Max traction force	53.5 T	485 kN
	Max gradient	35%	
	Track shoe width	31.5"	800 mm
	Overall width (retracted~extended)	128~173"	3250~4400mm
	Overall length	225"	5715 mm
<b>Working Dimension</b>	Working condition	350×173×297"	8870×4400×22800 mm
	Weight (drilling tool ex-cluded)	187,425 lbs	85 t
<b>Transport Dimension</b>	Transport condition	690×128×147.8"	17530×3250×3755 mm
	Disassembled rig & Sled	133,160 lbs	60.4t
	Rotary head	11,250 lbs	5.1t
	Counterweight	13,230 lbs	9t
	Kelly bar- XK280/419/4/36 & Kelly guide	22,050 lbs	10t

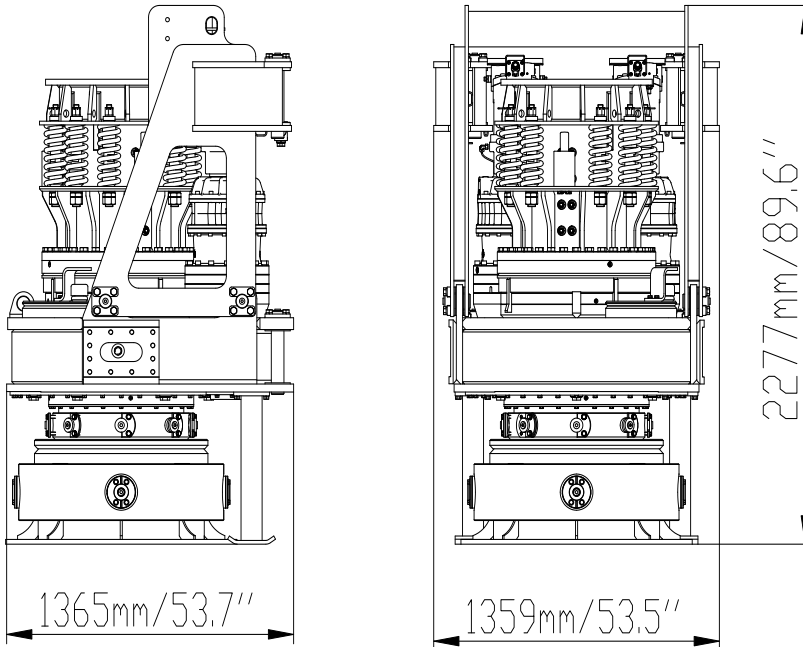


# TECHNICAL SPECIFICATIONS

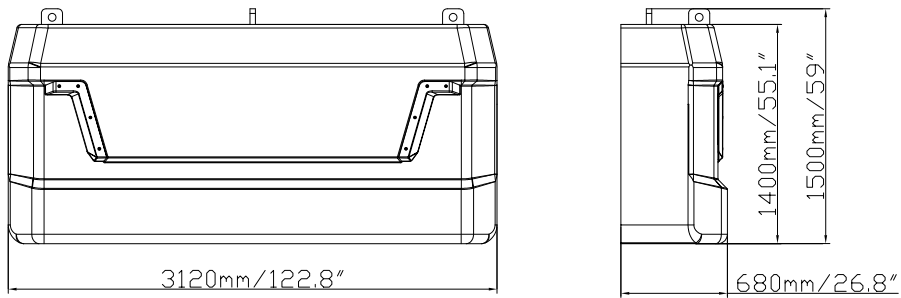




Disassembled rig & Sled: 60.4t / 133,160lbs    Rotary head: 5.1t / 11,250 lbs  
 Counterweight: 9t / 19,840 lbs    Kelly bar-XK280/419/4/36 & kelly guide: 10t / 22,050 lbs



weight: 5.1t/ 11, 250 lbs



weight: 9t/19,840bs



Drilling depth										
4-part kelly	A		B		G		Hw		T	
	m	ft	m	ft	kg	lb	m	ft	m	ft
XK280/419/4/28	10.2	33.5	30.9	101.4	6720	14815	8.3	27.2	28.6	93.8
XK280/419/4/32	11.2	36.7	34.9	114.5	7500	16535	7.3	24	32.6	106.9
XK280/419/4/36	12.2	40	38.9	127.6	8280	18254	6.3	20.7	36.6	120
XK280/419/4/40	13.2	43.3	42.9	140.7	9062	19978	5.3	17.4	40.6	133.2
XK280/419/4/44	14.2	46.6	46.9	153.9	9840	21693.5	4.3	14.1	44.6	146.3
XK280/419/4/48	15.2	49.8	50.9	167	10600	23369	3.3	10.8	48.6	159.5
XK280/419/4/52	16.2	53.1	54.9	180.1	11400	25132.7	2.3	7.5	52.6	172.6

Remarks: top rotary from the ground is 3520mm when the rig is at mini luffing; the height of the drilling bucket is 1.5m (NL).

