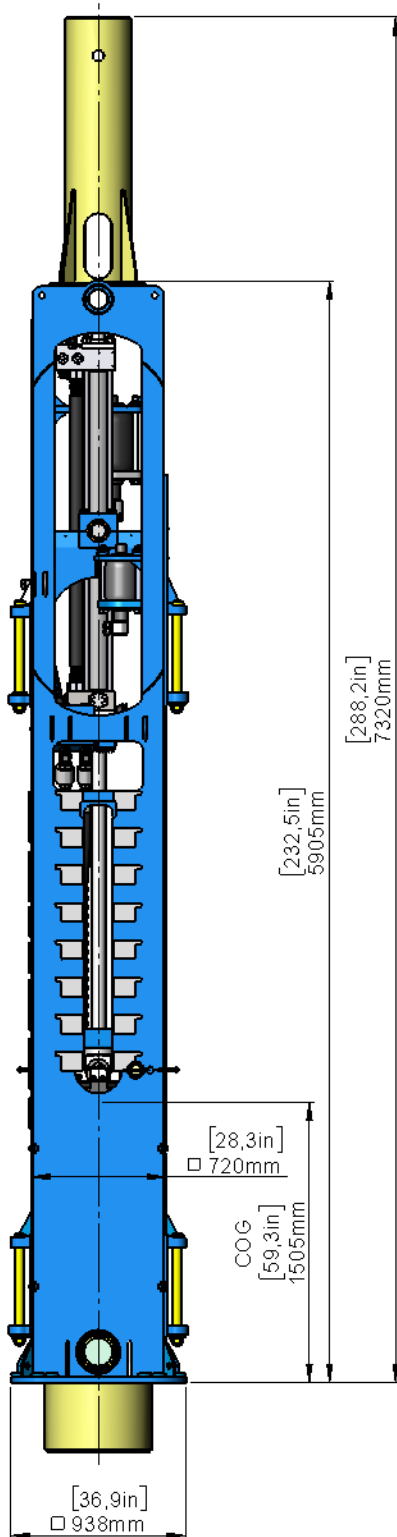


HHK5S



Weights

Hammer weight 7 900 kg / 17 500 lb

Ram block weight 5 000 kg / 11 000 lb
(Transport weight with top plate 5 070 kg / 11 200 lb)

Hydraulics' specification

Operating pressure 150 bar / 2 176 psi

Oil flow for 30 bl/min 280 L/min
74 gpm

Pressure accumulators 1 pcs / 10 L / 2,67 gal
Nitrogen pressure 82 bar @ 20 °C
1 189 psi @ 68 °F

Return accumulators 1 pcs / 4 L / 1 gal
Nitrogen pressure 6 bar @ 20 °C
87 psi @ 68 °F

Pressure hoses 1 x 38 mm
1 x 1½ in

Return hoses 1 x 38 mm
1 x 1½ in

Performance

Max. energy 74 kNm / 54 266 ft-lb
Blow rate @ 74 kNm / 54 266 ft-lb 30 bl/min

Min. energy 4 kNm / 2 950 ft-lb
Blow rate @ 4 kNm / 2 950 ft-lb 100 bl/min

Stroke 1 500 mm / 5 ft



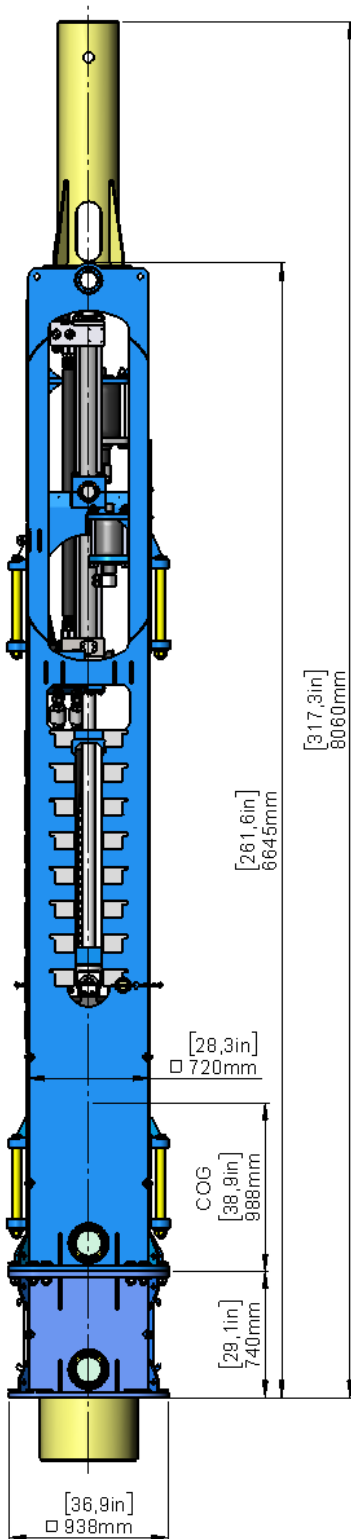
Junttan Oy
Matkuskentie 7
70800 Kuopio, FINLAND

Mailing address
P.O. Box 1702
70701 Kuopio, FINLAND

junttan@junttan.com
www.junttan.com

Business ID 0207930-6
VAT Fi02079306

HHK5/7S



Weights

Hammer weight	10 400 kg / 23 000 lb
Ram block weight (Transport weight with top plate)	7 000 kg / 15 450 lb 7 040 kg / 15 500 lb

Hydraulics' specification

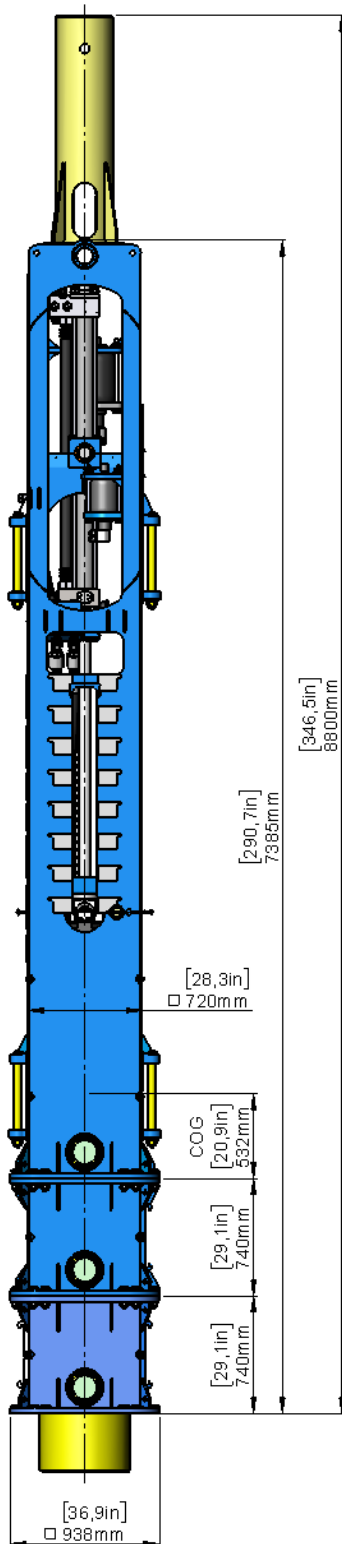
Operating pressure	211 bar / 3 060 psi
Oil flow for 30 bl/min	280 L/min 74 gpm
Pressure accumulators Nitrogen pressure	1 pcs / 10 L / 2,67 gal 115 bar @ 20 °C 1 667 psi @ 68 °F
Return accumulators Nitrogen pressure	1 pcs / 4 L / 1 gal 6 bar @ 20 °C 87 psi @ 68 °F
Pressure hoses	1 x 38 mm 1 x 1½ in
Return hoses	1 x 38 mm 1 x 1½ in

Performance

Max. energy	103 kNm / 75 971 ft-lb
Blow rate @ 103 kNm / 75 971 ft-lb	30 bl/min
Min. energy	5 kNm / 3 688 ft-lb
Blow rate @ 5 kNm / 3 688 ft-lb	100 bl/min
Stroke	1 500 mm / 5 ft



HHK5/7/9S



Weights

Hammer weight 12 900 kg / 28 500 lb

Ram block weight 9 000 kg / 19 850 lb
(Transport weight with top plate 9 000 kg / 19 850 lb)

Hydraulics' specification

Operating pressure 271 bar / 3 931 psi

Oil flow for 30 bl/min 280 L/min
74 gpm

Pressure accumulators 1 pcs / 10 L / 2,67 gal
Nitrogen pressure 148 bar @ 20 °C
2 147 psi @ 68 °F

Return accumulators 1 pcs / 4 L / 1 gal
Nitrogen pressure 6 bar @ 20 °C
87 psi @ 68 °F

Pressure hoses 1 x 38 mm
1 x 1½ in

Return hoses 1 x 38 mm
1 x 1½ in

Performance

Max. energy 132 kNm / 97 679 ft-lb
Blow rate @ 132 kNm / 97 679 ft-lb 30 bl/min

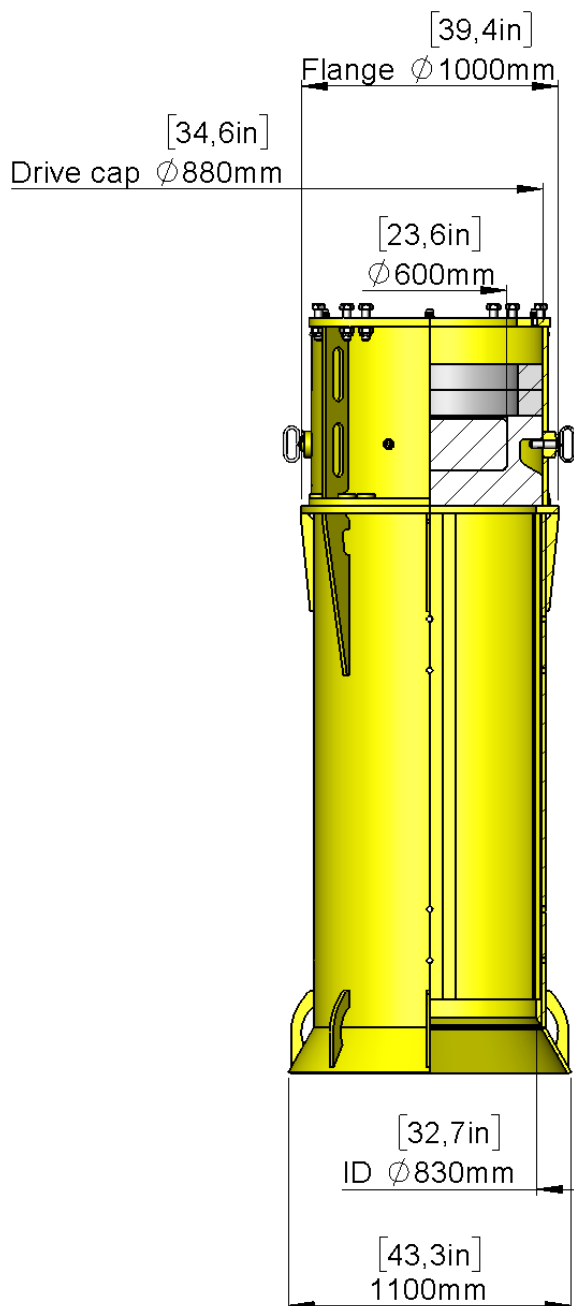
Min. energy 7 kNm / 5 163 ft-lb
Blow rate @ 7 kNm / 5 163 ft-lb 100 bl/min

Stroke 1 500 mm / 5 ft



HHK5-9S

Drive Cap and Pile Guide for OD Ø813 mm / 32 in pile



Weights

Total 2 700 kg / 5 950 lb

Total mass includes:

		Junttan part nr.
Drive cap housing	530 kg / 1 170 lb	2037485
Drive cap	1 000 kg / 2 210 lb	2011098
Pile sleeve	1 020 kg / 2 250 lb	272729
Rebound rings	60 kg / 140 lb	2007051
Cushion	60 kg / 140 lb	2008387

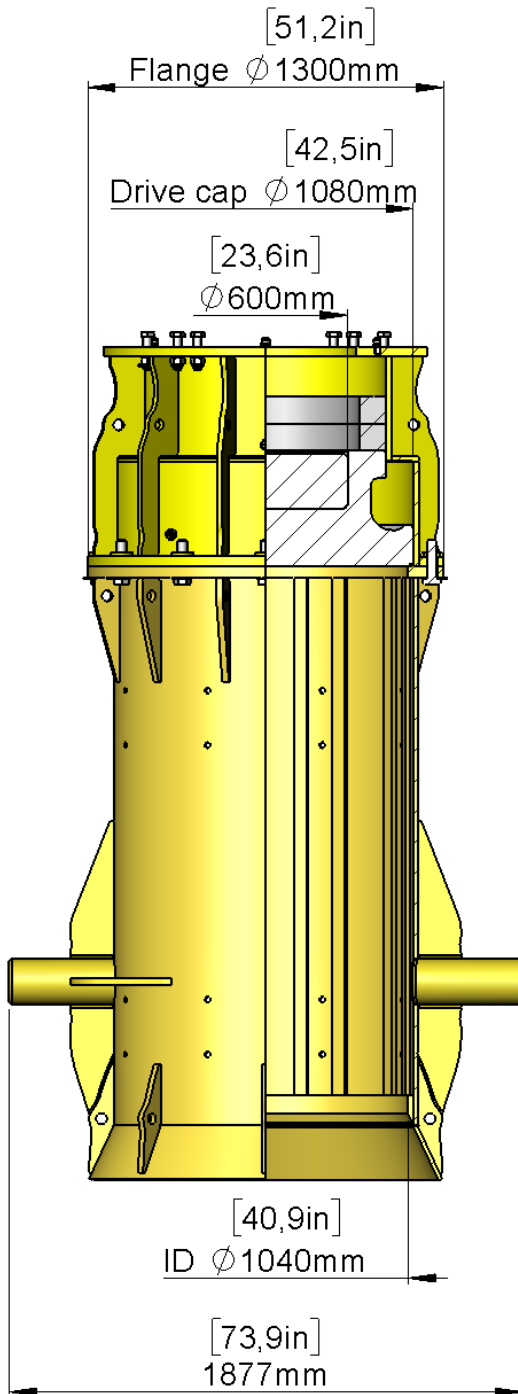
Accessories

Standard size inserts (8 pcs/pile OD)
 \varnothing 713 mm / 28 in 400 kg / 890 lb



HHK5-9S

Drive Cap and Pile Guide for OD Ø1016 mm / 40 in pile



Weights

Total 4 350 kg / 9 600 lb

Total mass includes:

Drive cap housing	880 kg / 1 950 lb	Junttan nr. 2039653
Drive cap	1 680 kg / 3 710 lb	2039644
Pile sleeve	1 660 kg / 3 660 lb	2049236
Rebound rings	60 kg / 140 lb	2007051
Cushion	60 kg / 140 lb	2008387

Accessories

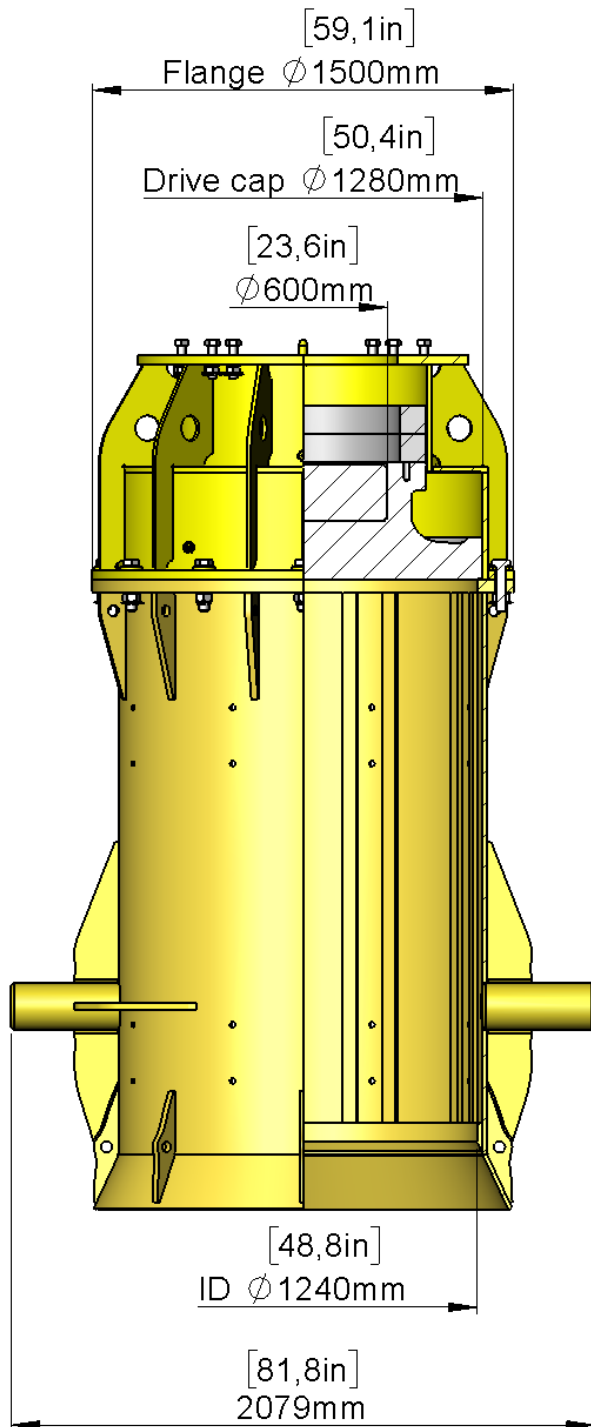
Standard size inserts (8 pcs/pile OD)

Ø914 mm / 36 in	400 kg / 890 lb
Ø813 mm / 32 in	600 kg / 1 330 lb



HHK5-9S

Drive Cap and Pile Guide for OD Ø1219 mm / 48 in pile



Weights

Total 5 100 kg / 11 250 lb

Total mass includes:

		Junttan nr.
Drive cap housing	990 kg / 2 190 lb	2052046
Drive cap	2 100 kg / 4 630 lb	2008206
Pile sleeve	1 890 kg / 4 170 lb	2038878
Rebound rings	60 kg / 140 lb	2007051
Cushion	60 kg / 140 lb	2008387

Accessories

Standard size inserts (8 pcs/pile OD)		
Ø1020 mm / 40 in	600 kg / 1 330 lb	
Ø914 mm / 36 in	700 kg / 1 550 lb	
Ø820 mm / 32 in	800 kg / 1 770 lb	



HHK5S

Max. pile Ø813 mm / 32 in
Drive cap Ø880 mm

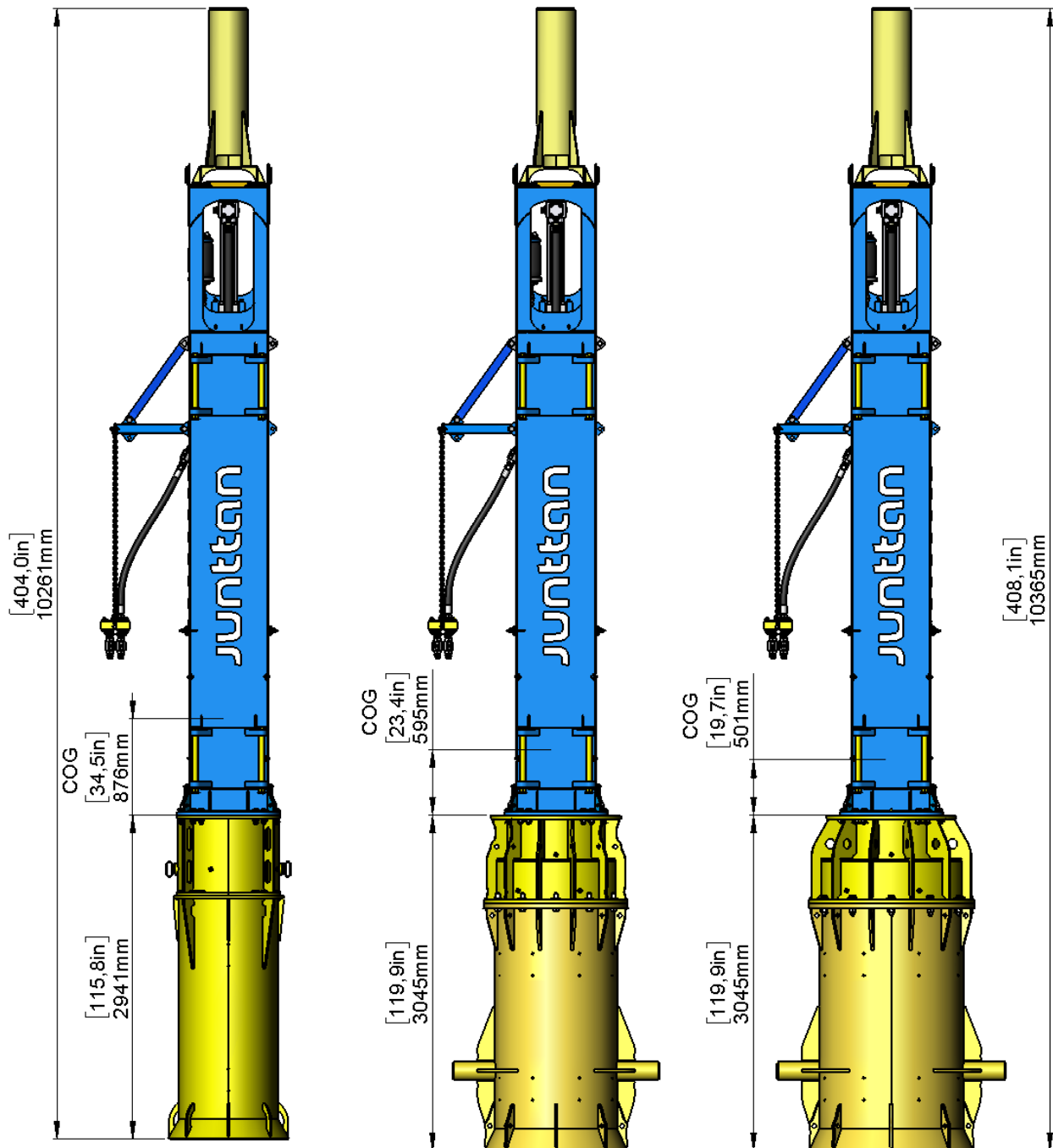
Ø1016 mm / 40 in
Ø1080 mm

Ø1219 mm / 48 in
Ø1280 mm

Total mass:
10 500 kg / 23 150 lb

Total mass:
12 200 kg / 26 900 lb

Total mass:
13 000 kg / 28 650 lb



Junttan Oy
Matkuksentie 7
70800 Kuopio, FINLAND

Mailing address
P.O. Box 1702
70701 Kuopio, FINLAND

junttan@junttan.com
www.junttan.com

Business ID 0207930-6
VAT Fi02079306

HHK5/7S

Max. pile Ø813 mm / 32 in
Drive cap Ø880 mm

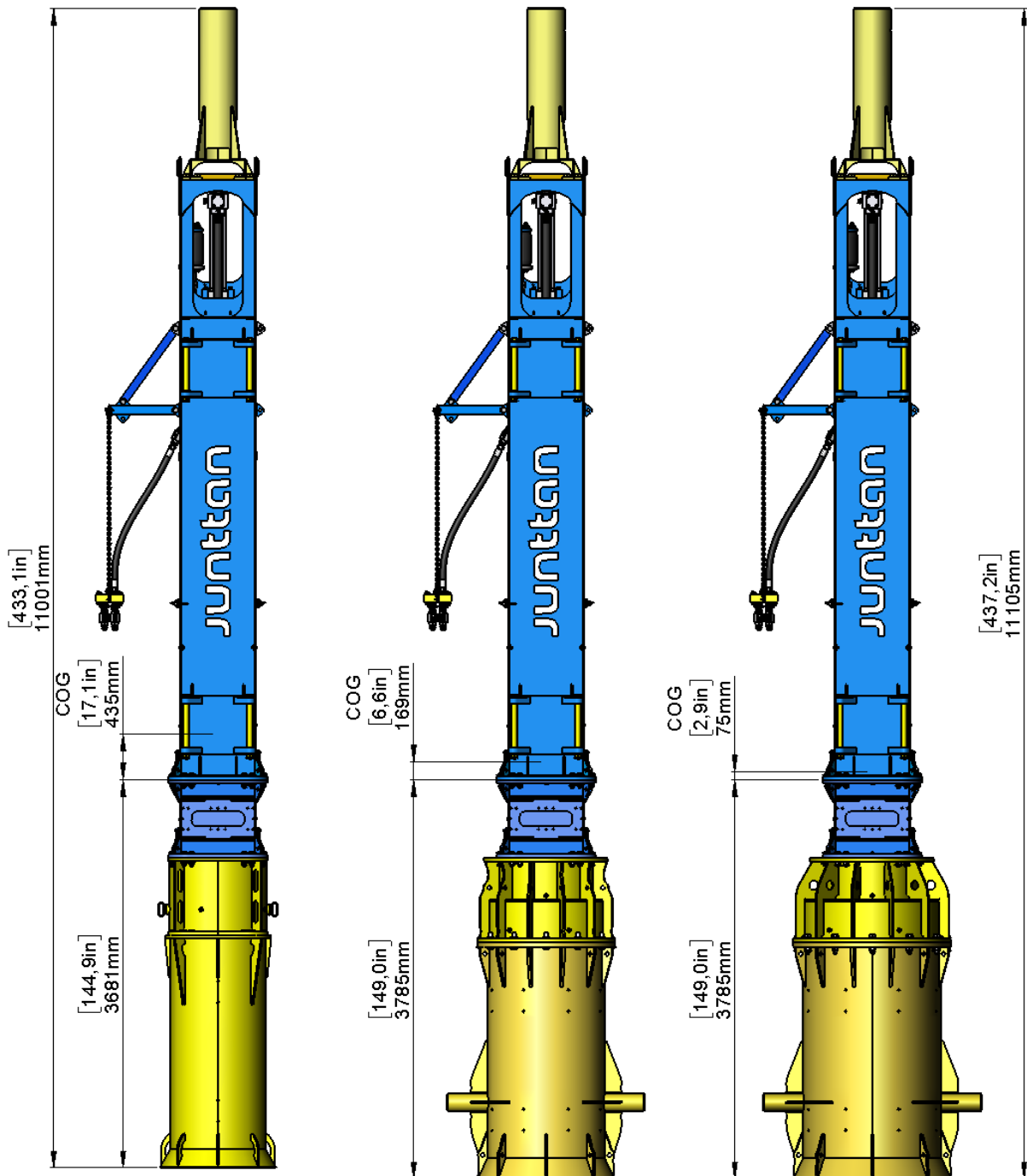
Ø1016 mm / 40 in
Ø1080 mm

Ø1219 mm / 48 in
Ø1280 mm

Total mass:
13 100 kg / 28 900 lb

Total mass:
14 700 kg / 32 400 lb

Total mass:
15 500 kg / 34 150 lb



Junttan Oy
Matkuksentie 7
70800 Kuopio, FINLAND

Mailing address
P.O. Box 1702
70701 Kuopio, FINLAND

junttan@junttan.com
www.junttan.com

Business ID 0207930-6
VAT Fi02079306

HHK5/7/9S

Max. pile Ø813 mm / 32 in
Drive cap Ø880 mm

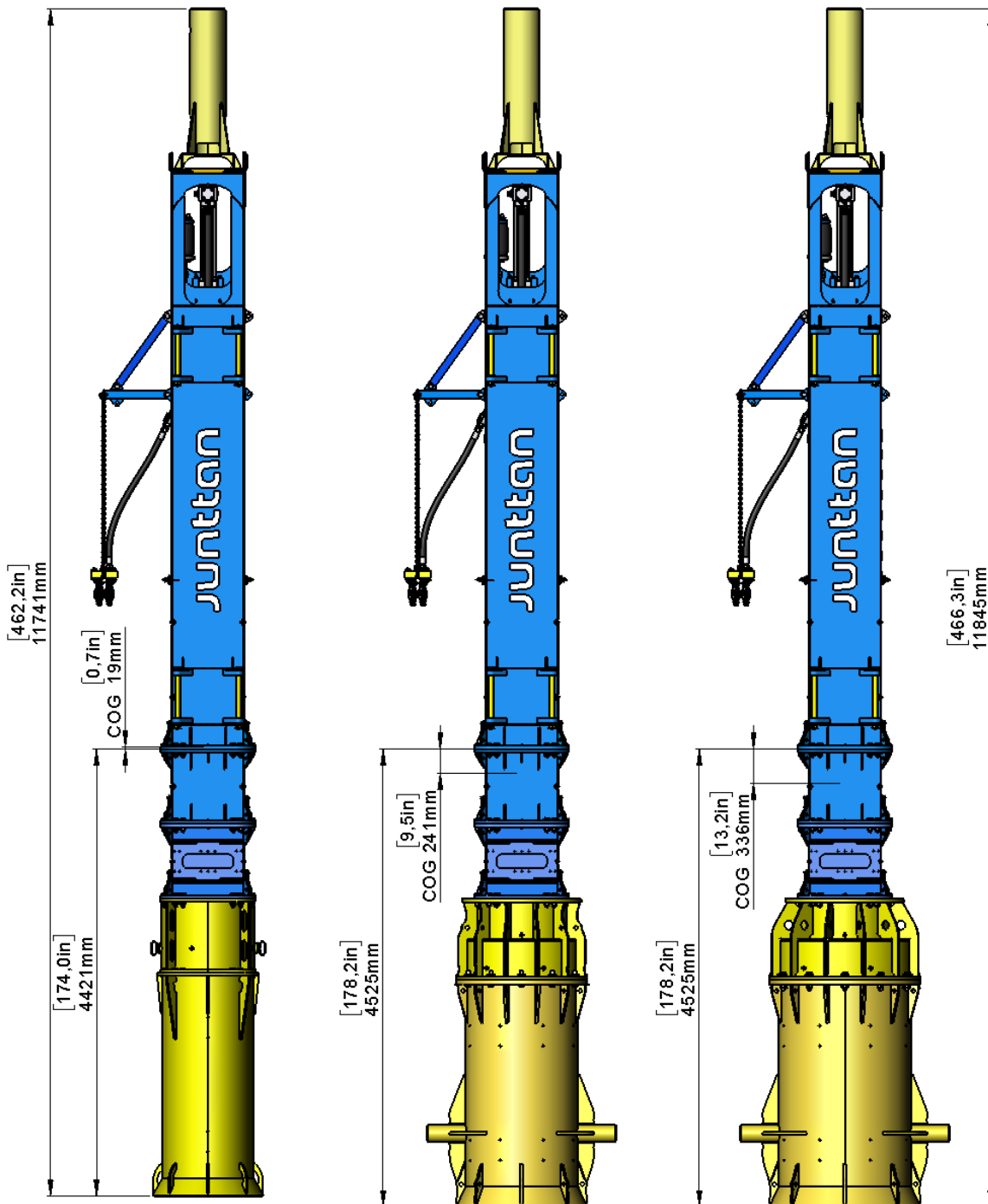
Ø1016 mm / 40 in
Ø1080 mm

Ø1219 mm / 48 in
Ø1280 mm

Total mass:
15 500 kg / 34 150 lb

Total mass:
17 200 kg / 37 900 lb

Total mass:
18 000 kg / 39 700 lb



Junttan Oy
Matkuksentie 7
70800 Kuopio, FINLAND

Mailing address
P.O. Box 1702
70701 Kuopio, FINLAND

junttan@junttan.com
www.junttan.com

Business ID 0207930-6
VAT FI02079306