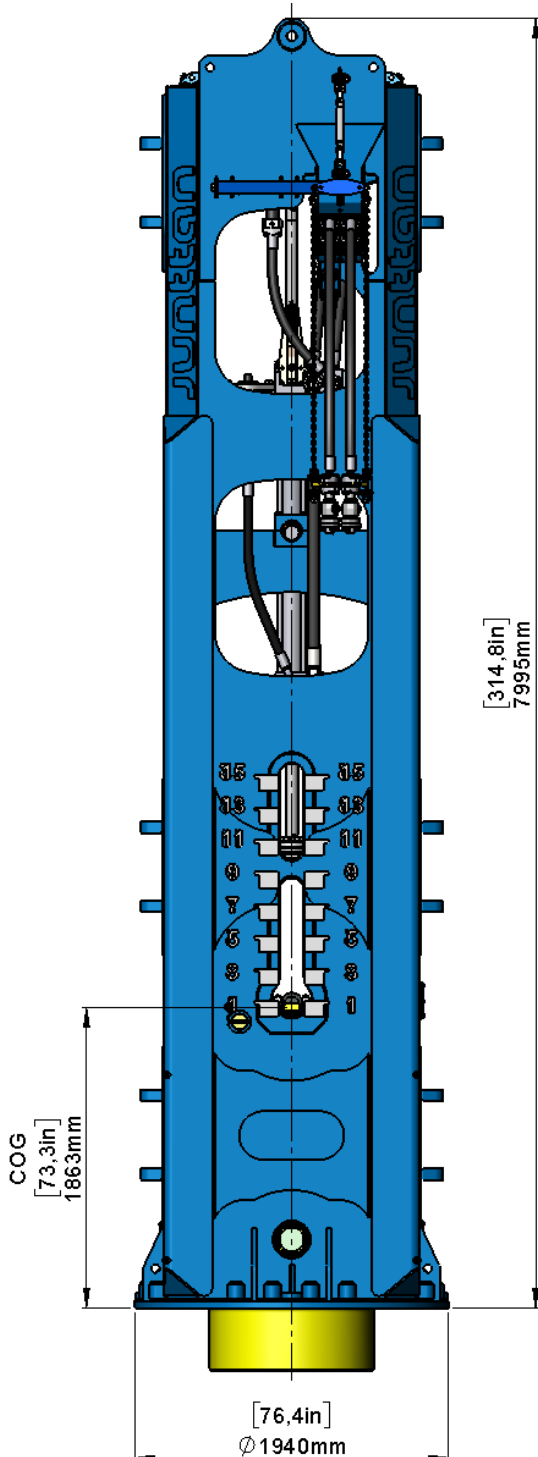


HHK25S



Weights

Hammer weight 40 700kg / 90 000 lb

Ram block weight 25 000 kg / 55 100 lb
(Transport weight with top plate 26 020 kg / 57 350 lb)

Hydraulics' specification

Operating pressure 244 bar / 3 539 psi

Oil flow for 30 bl/min 860 L/min
227 gpm

Pressure accumulators 2 pcs / 10 L / 2,67 gal
Nitrogen pressure 133 bar @ 20 °C
1 929 psi @ 68 °F

Return accumulators 2 pcs / 10 L / 2,67 gal
Nitrogen pressure 6 bar @ 20 °C
87 psi @ 68 °F

Pressure hoses 3 x 38 mm
3 x 1½ in

Return hoses 3 x 38 mm
3 x 1½ in

Performance

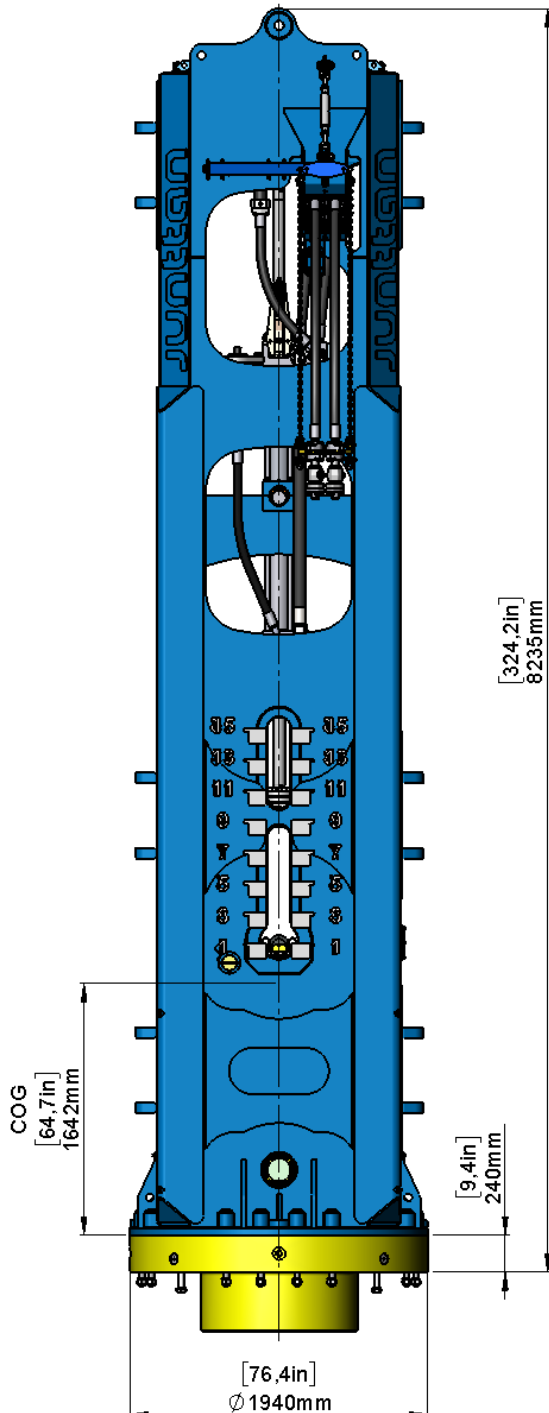
Max. energy 368 kNm / 271 238 ft-lb
Blow rate @ 368 kNm /
271 238 ft-lb 30 bl/min

Min. energy 19 kNm / 14 014 ft-lb
Blow rate @ 19 kNm /
14 014 ft-lb 100 bl/min

Stroke 1 500 mm / 5 ft



HHK25/28S



Weights

Hammer weight 45 400 kg / 100 000 lb

Ram block weight 28 000 kg / 61 750 lb
(Transport weight with top plate 29 050 kg / 64 050 lb)

Hydraulics' specification

Operating pressure 273 bar / 3 960 psi

Oil flow for 30 bl/min 860 L/min
227 gpm

Pressure accumulators 2 pcs / 10 L / 2,67 gal
Nitrogen pressure 149 bar @ 20 °C
2 161 psi @ 68 °F

Return accumulators 2 pcs / 10 L / 2,67 gal
Nitrogen pressure 6 bar @ 20 °C
87 psi @ 68 °F

Pressure hoses 3 x 38 mm
3 x 1½ in

Return hoses 3 x 38 mm
3 x 1½ in

Performance

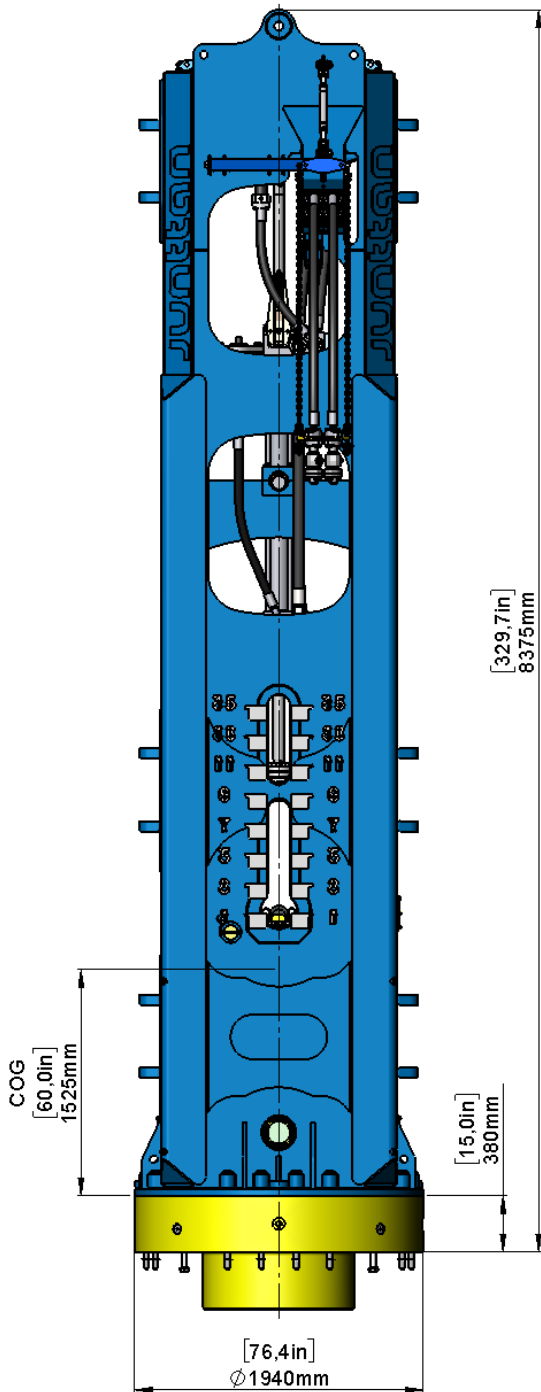
Max. energy 400 kNm / 295 025 ft-lb
Blow rate @ 400 kNm /
295 025 ft-lb 30 bl/min

Min. energy 20 kNm / 14 751 ft-lb
Blow rate @ 20 kNm /
14 751 ft-lb 100 bl/min

Stroke 1 500 mm / 5 ft



HHK25/30S



Weights

Hammer weight	48 000 kg / 106 000 lb
Ram block weight (Transport weight with top plate)	30 000 kg / 66 150 lb 30 800 kg / 67 900 lb

Hydraulics' specification

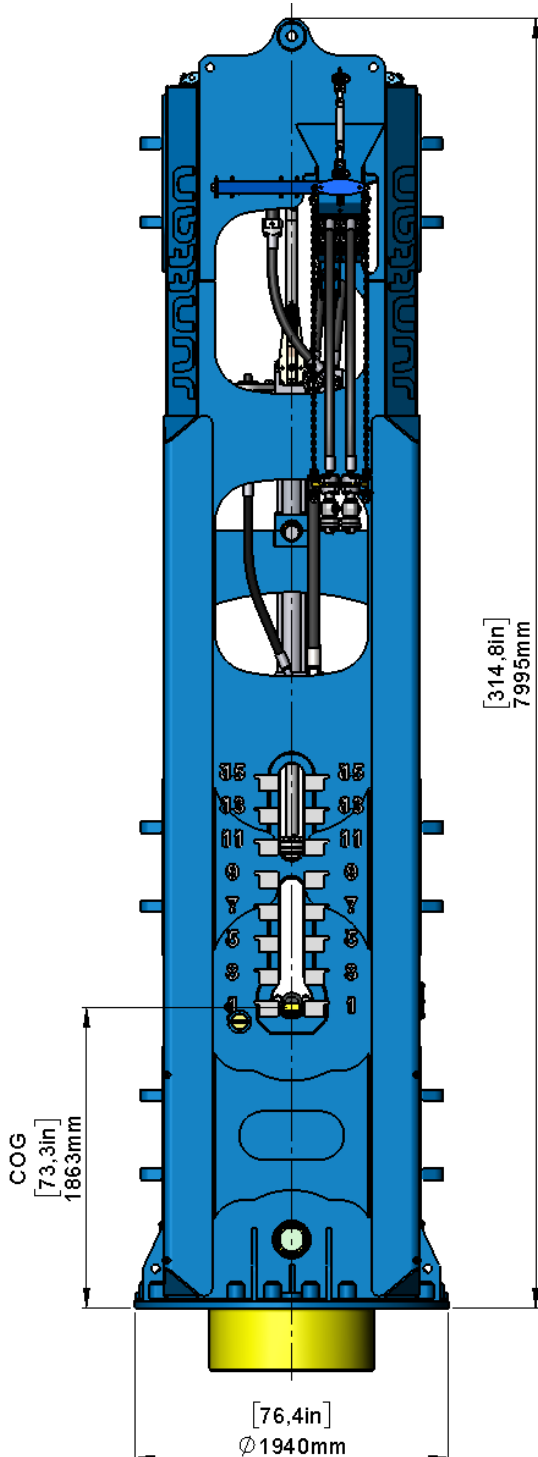
Operating pressure	290 bar / 4 206 psi
Oil flow for 30 bl/min	860 L/min 227 gpm
Pressure accumulators Nitrogen pressure	2 pcs / 10 L / 2,67 gal 159 bar @ 20 °C 2 306 psi @ 68 °F
Return accumulators Nitrogen pressure	2 pcs / 10 L / 2,67 gal 6 bar @ 20 °C 87 psi @ 68 °F
Pressure hoses	3 x 38 mm 3 x 1½ in
Return hoses	3 x 38 mm 3 x 1½ in

Performance

Max. energy	441 kNm / 325 265 ft-lb
Blow rate @ 441 kNm / 325 265 ft-lb	30 bl/min
Min. energy	22 kNm / 16 226 ft-lb
Blow rate @ 22 kNm / 16 226 ft-lb	100 bl/min
Stroke	1 500 mm / 5 ft



HHK25SB



Weights

Hammer weight 40 700 kg / 90 000 lb

Ram block weight 25 000 kg / 55 100 lb
(Transport weight with top plate 26 020 kg / 57 350 lb)

Hydraulics' specification

Operating pressure 244 bar / 3 539 psi

Oil flow for 30 bl/min 860 L/min
227 gpm

Pressure accumulators 2 pcs / 10 L / 2,67 gal
Nitrogen pressure 133 bar @ 20 °C
1 929 psi @ 68 °F

Return accumulators 2 pcs / 10 L / 2,67 gal
Nitrogen pressure 6 bar @ 20 °C
87 psi @ 68 °F

Pressure hoses 3 x 38 mm
3 x 1½ in

Return hoses 3 x 38 mm
3 x 1½ in

Performance

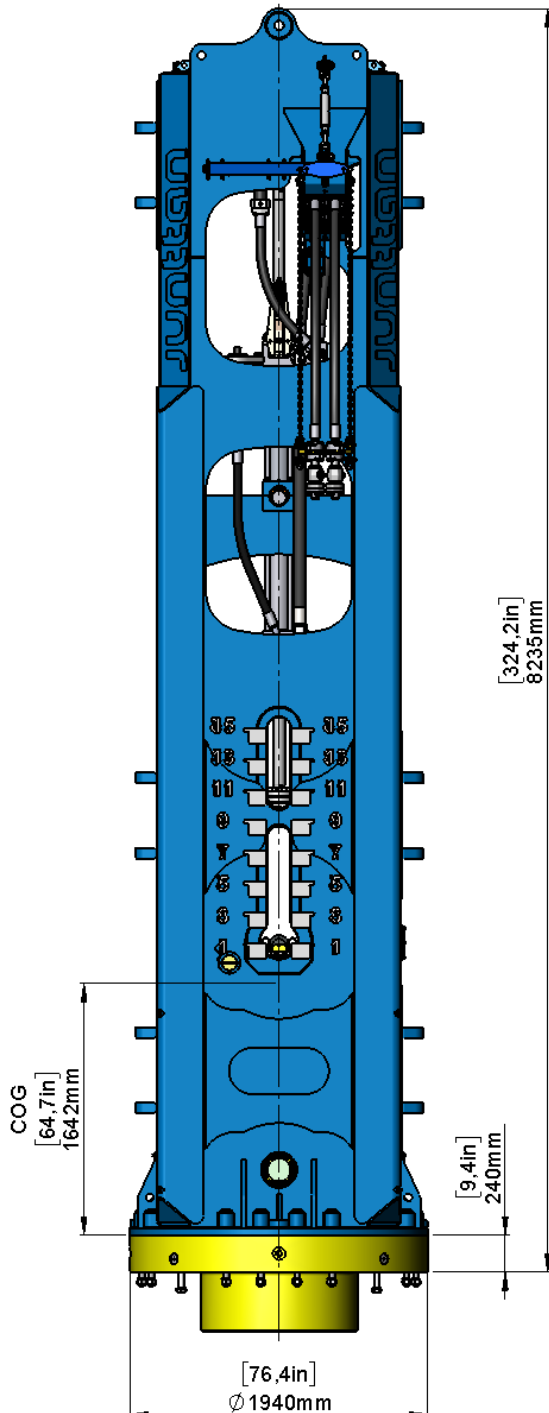
Max. energy 400 kNm / 295 025 ft-lb
Blow rate @ 400 kNm /
295 025 ft-lb 30 bl/min

Min. energy 19 kNm / 14 014 ft-lb
Blow rate @ 19 kNm /
14 014 ft-lb 100 bl/min

Stroke 1 500 mm / 5 ft



HHK25/28SB



Weights

Hammer weight 45 400 kg / 100 000 lb

Ram block weight 28 000 kg / 61 750 lb
(Transport weight with top plate 29 050 kg / 64 050 lb)

Hydraulics' specification

Operating pressure 273 bar / 3 960 psi

Oil flow for 30 bl/min 860 L/min
227 gpm

Pressure accumulators 2 pcs / 10 L / 2,67 gal
Nitrogen pressure 149 bar @ 20 °C
2 161 psi @ 68 °F

Return accumulators 2 pcs / 10 L / 2,67 gal
Nitrogen pressure 6 bar @ 20 °C
87 psi @ 68 °F

Pressure hoses 3 x 38 mm
3 x 1½ in

Return hoses 3 x 38 mm
3 x 1½ in

Performance

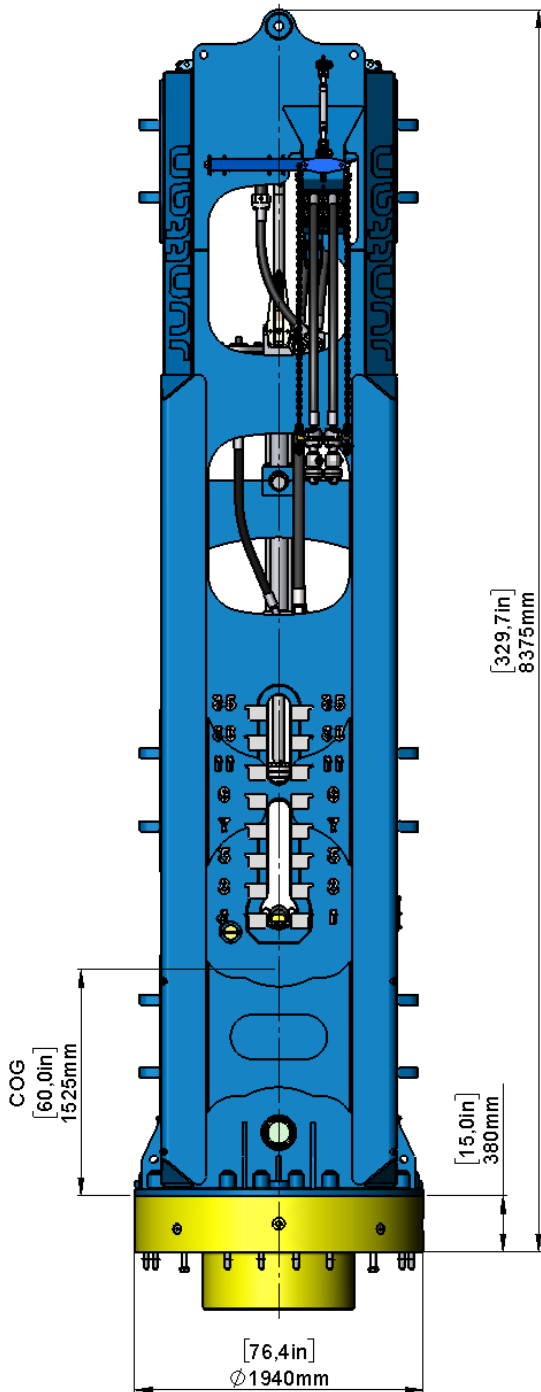
Max. energy 450 kNm / 331 903 ft-lb
Blow rate @ 450 kNm /
331 903 ft-lb 30 bl/min

Min. energy 20 kNm / 14 751 ft-lb
Blow rate @ 20 kNm /
14 751 ft-lb 100 bl/min

Stroke 1 500 mm / 5 ft



HHK25/30SB



Weights

Hammer weight	48 000 kg / 106 000 lb
Ram block weight (Transport weight with top plate)	30 000 kg / 66 150 lb 30 800 kg / 67 900 lb

Hydraulics' specification

Operating pressure	290 bar / 4 206 psi
Oil flow for 30 bl/min	860 L/min 227 gpm
Pressure accumulators Nitrogen pressure	2 pcs / 10 L / 2,67 gal 159 bar @ 20 °C 2 306 psi @ 68 °F
Return accumulators Nitrogen pressure	2 pcs / 10 L / 2,67 gal 6 bar @ 20 °C 87 psi @ 68 °F
Pressure hoses	3 x 38 mm 3 x 1½ in
Return hoses	3 x 38 mm 3 x 1½ in

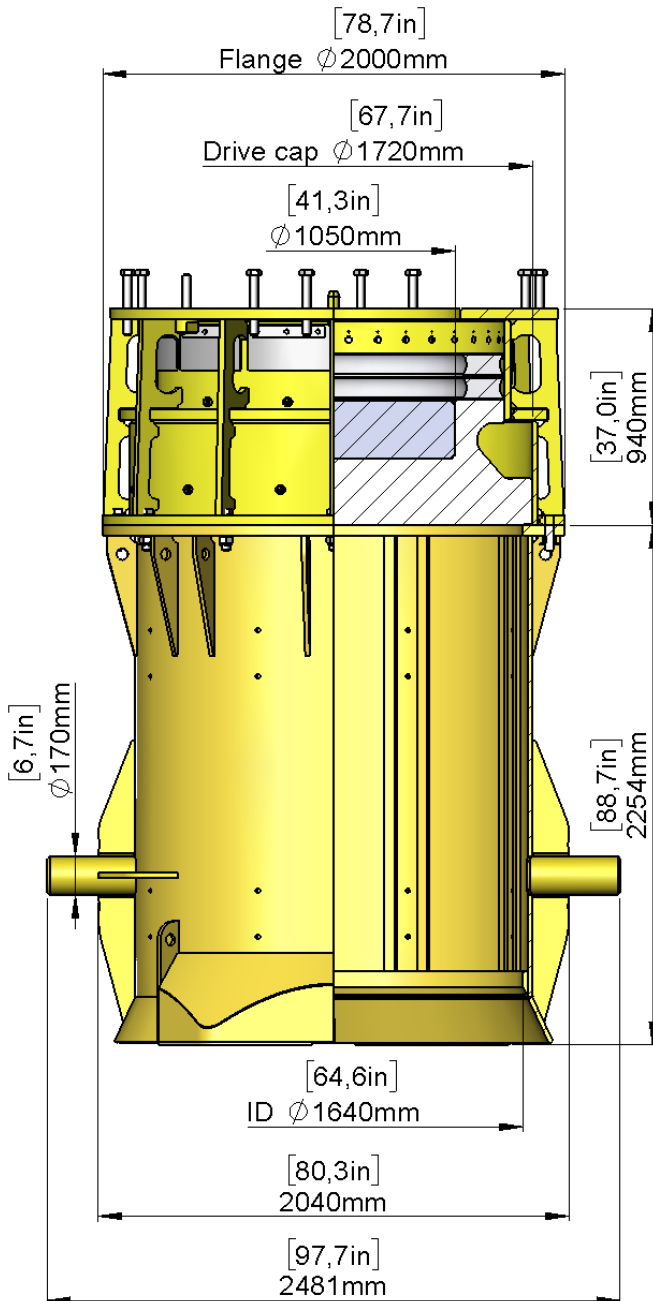
Performance

Max. energy	500 kNm / 368 781 ft-lb
Blow rate @ 500 kNm / 368 781 ft-lb	30 bl/min
Min. energy	22 kNm / 16 226 ft-lb
Blow rate @ 22 kNm / 16 226 ft-lb	100 bl/min
Stroke	1 500 mm / 5 ft



HHK25-30S / SB

Drive Cap and Pile Guide for OD Ø1625 mm / 64 in pile



Weights

Total 12 000 kg / 26 450 lb

Total mass includes:

		Junttan nr.
Drive cap housing	2 470 kg / 5 450 lb	2002225
Drive cap	5 890 kg / 12 990 lb	2002226
Pile sleeve	3 130 kg / 6 910 lb	2036075
Rebound rings	240 kg / 530 lb	2002082
Cushion	250 kg / 560 lb	2002078

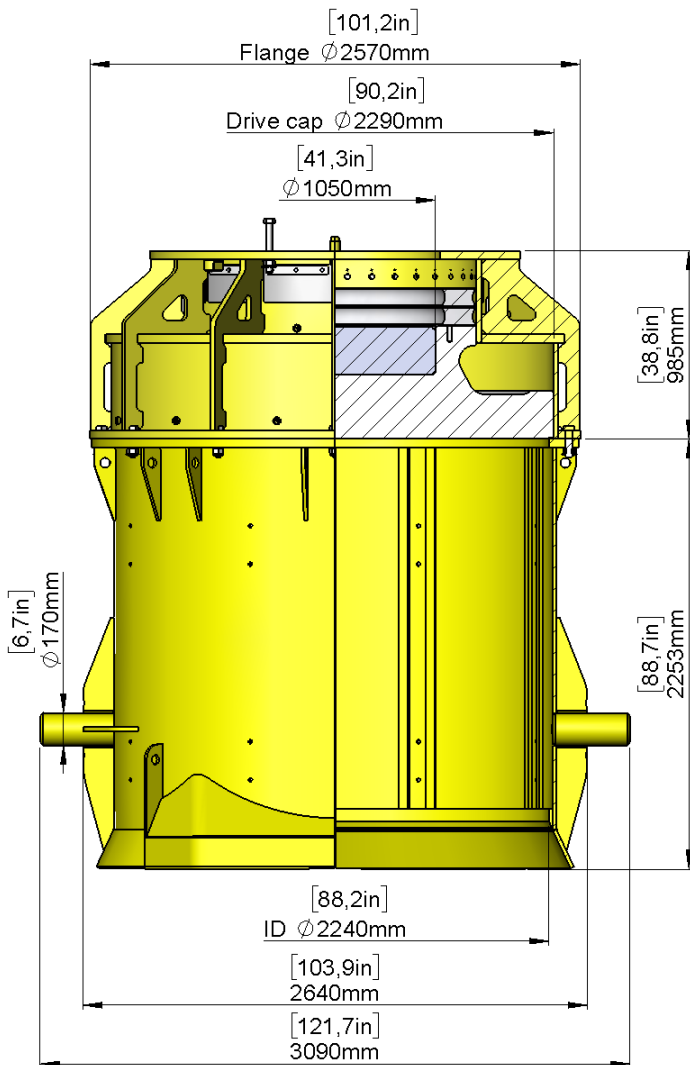
Accessories

Standard size inserts (8 pcs/pile OD)		
Ø1524 mm / 60 in	400 kg / 890 lb	
Ø1420 mm / 56 in	600 kg / 1 330 lb	
Ø1220 mm / 48 in	800 kg / 1 770 lb	



HHK25-30S / SB

Drive Cap and Pile Guide for OD Ø2284 mm / 86 in pile



Weights

Total 18 300 kg / 40 350 lb

Total mass includes:

		Junttan nr.
Drive cap housing	3 760 kg / 8 290 lb	2060040
Drive cap	10 170 kg / 22 430 lb	2060048
Pile sleeve	3 870 kg / 8 540 lb	2060070
Rebound rings	240 kg / 530 lb	2002082
Cushion	250 kg / 560 lb	2010686

Accessories

Standard size inserts (8 pcs/pile OD)		
Ø2134 mm / 84 in	400 kg / 890 lb	
Ø2032 mm / 80 in	600 kg / 1 330 lb	
Ø1829 mm / 72 in	800 kg / 1 770 lb	
Ø1620 mm / 64 in	1 000 kg / 2 210 lb	



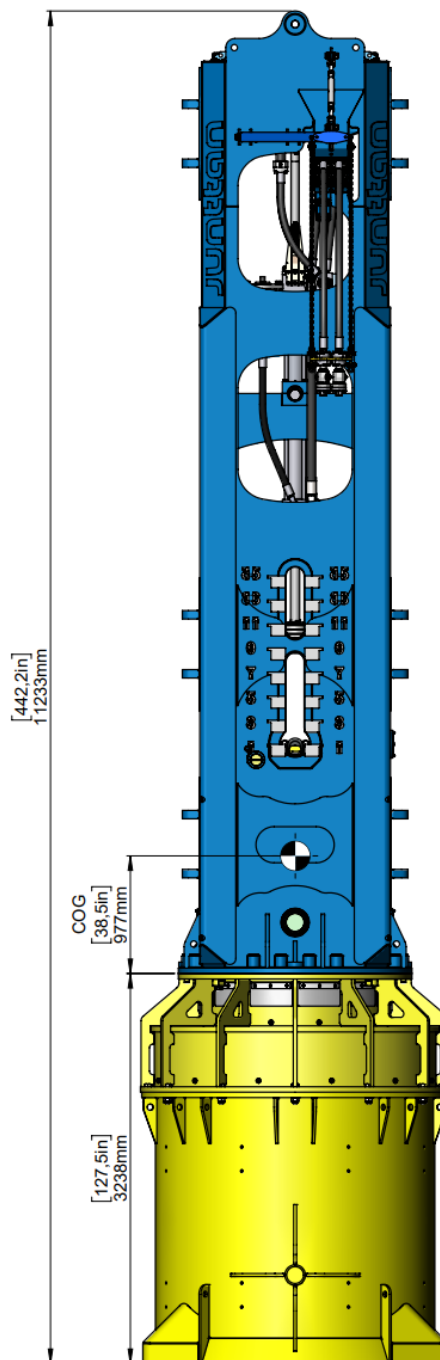
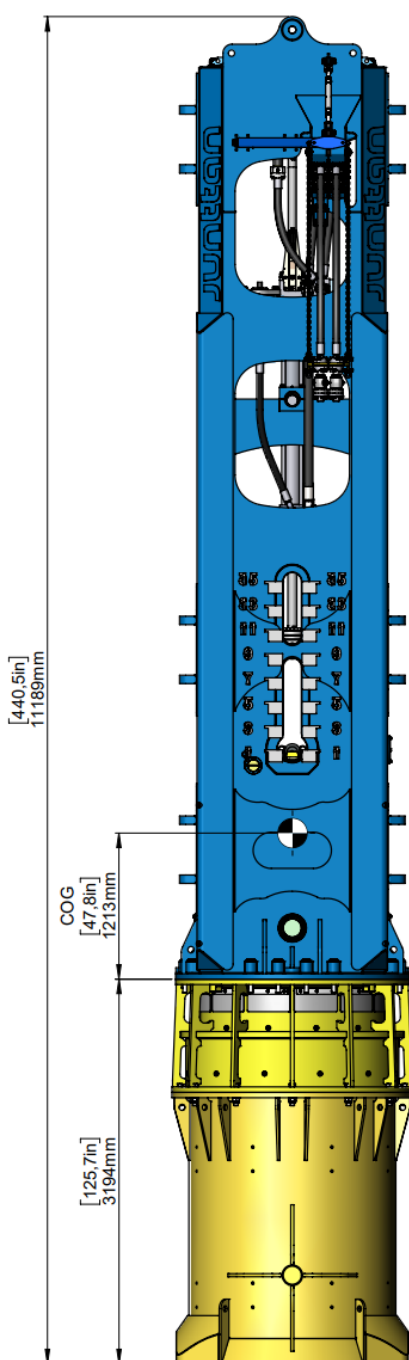
HHK25S

Max. pile Ø1625 mm / 64 in
 Drive cap Ø1720 mm

Ø2184 mm / 86 in
 Ø2290 mm

Total mass:
 52 700 kg / 116 200 lb

Total mass:
 59 000 kg / 130 050 lb



Junttan Oy
 Matkukseentie 7
 70800 Kuopio, FINLAND

Mailing address
 P.O. Box 1702
 70701 Kuopio, FINLAND

junttan@junttan.com
 www.junttan.com

Business ID 0207930-6
 VAT FI02079306

HHK25/28S

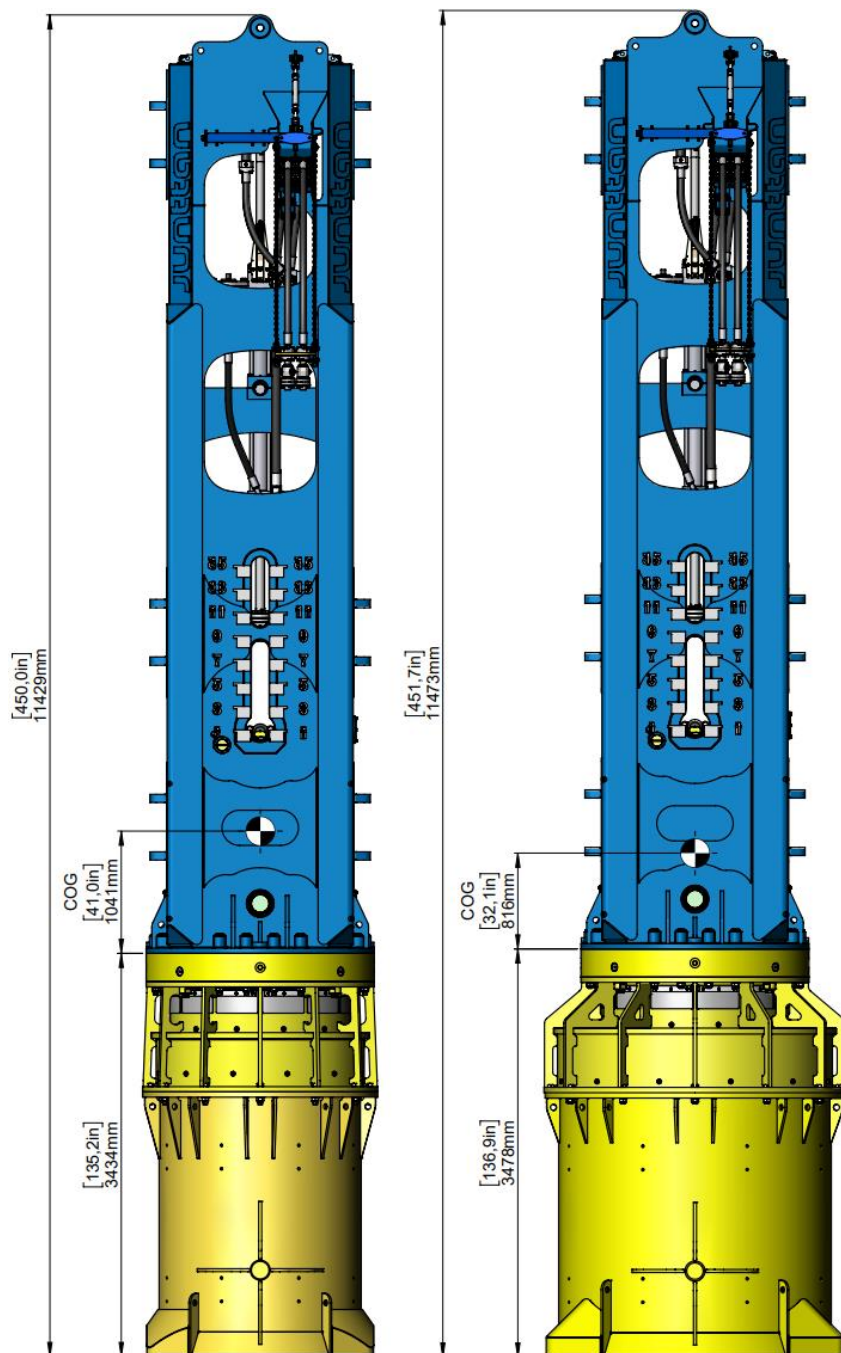
Max. pile
Drive cap

Ø1625 mm / 64 in
Ø1720 mm

Ø2184 mm / 86 in
Ø2290 mm

Total mass:
57 300 kg / 126 300 lb

Total mass:
63 600 kg / 140 200 lb



Junttan Oy
Matkuksentie 7
70800 Kuopio, FINLAND

Mailing address
P.O. Box 1702
70701 Kuopio, FINLAND

junttan@junttan.com
www.junttan.com

Business ID 0207930-6
VAT FI02079306

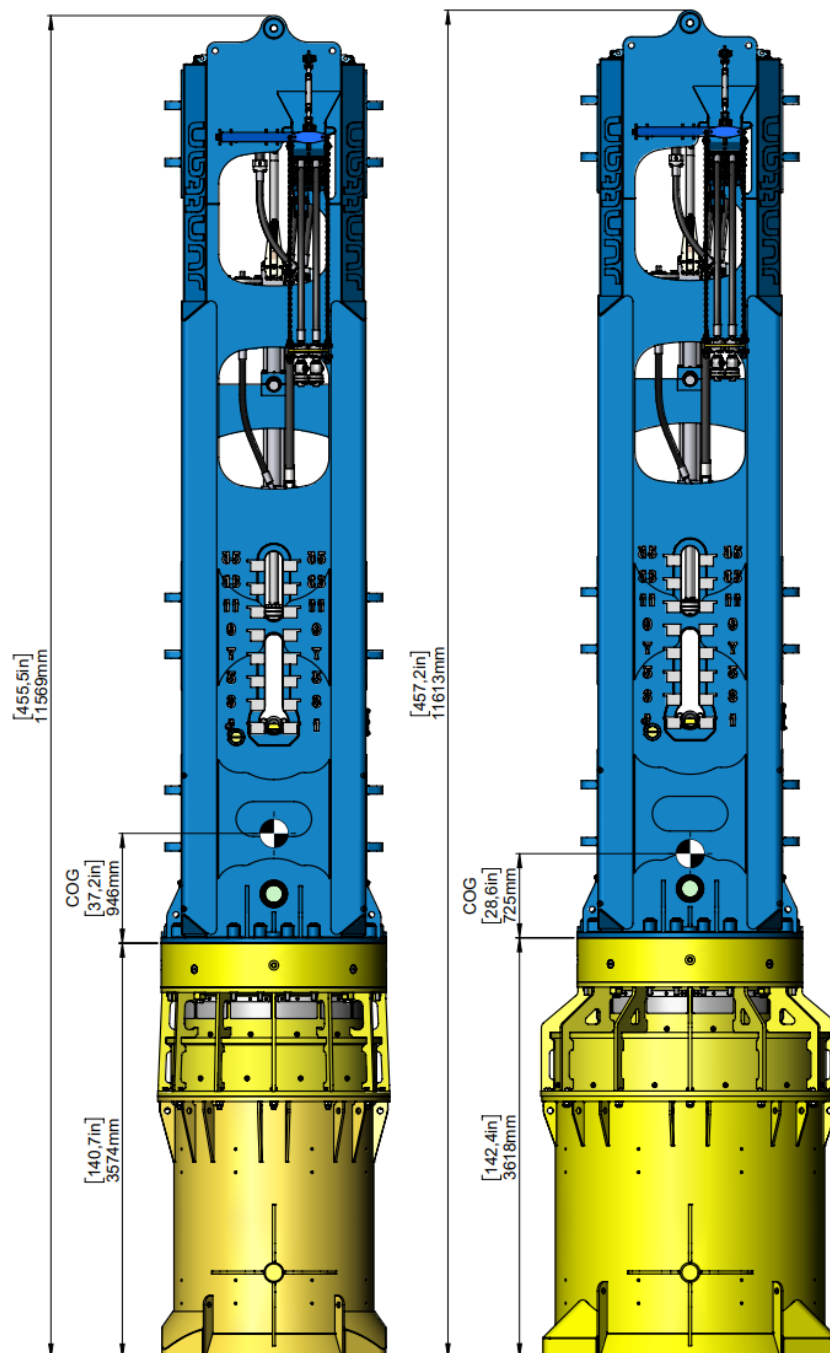
HHK25/30S

Max. pile Ø1625 mm / 64 in
 Drive cap Ø1720 mm

Ø2184 mm / 86 in
 Ø2290 mm

Total mass:
 60 000 kg / 132 300 lb

Total mass:
 66 300 kg / 146 150 lb



Junttan Oy
 Matkuskentie 7
 70800 Kuopio, FINLAND

Mailing address
 P.O. Box 1702
 70701 Kuopio, FINLAND

junttan@junttan.com
 www.junttan.com

Business ID 0207930-6
 VAT FI02079306