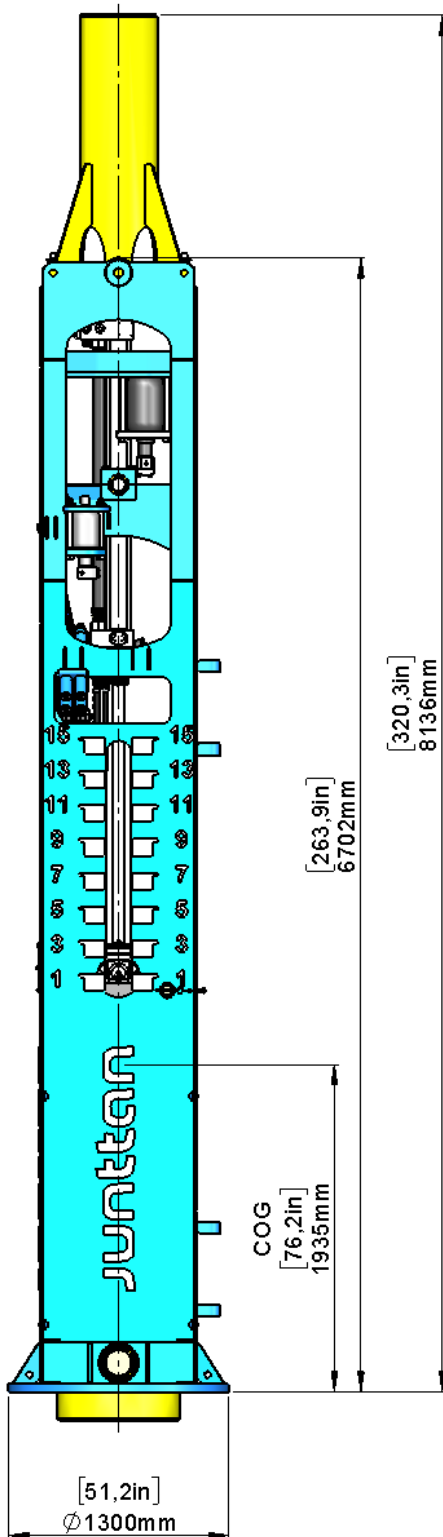


## HHK10S



### Weights

Hammer weight	16 200 kg / 35 700 lb
Ram block weight (Transport weight with top plate)	10 000 kg / 22 050 lb 10 850 kg / 23 900 lb

### Hydraulics' specification

Operating pressure	150 bar / 2 176 psi
Oil flow for 30 bl/min	565 L/min 149 gpm
Pressure accumulators Nitrogen pressure	2 pcs / 10 L / 2,67 gal 82 bar @ 20 °C 1 189 psi @ 68 °F
Return accumulators Nitrogen pressure	2 pcs / 4 L / 1 gal 6 bar @ 20 °C 87 psi @ 68 °F
Pressure hoses	2 x 38 mm 2 x 1½ in
Return hoses	2 x 38 mm 2 x 1½ in

### Performance

Max. energy	147 kNm / 87 032 ft-lb
Blow rate @ 147 kNm / 87 032 ft-lb	30 bl/min
Min. energy	7 kNm / 5 163 ft-lb
Blow rate @ 7 kNm / 5 163 ft-lb	120 bl/min
Stroke	1 500 mm / 5 ft



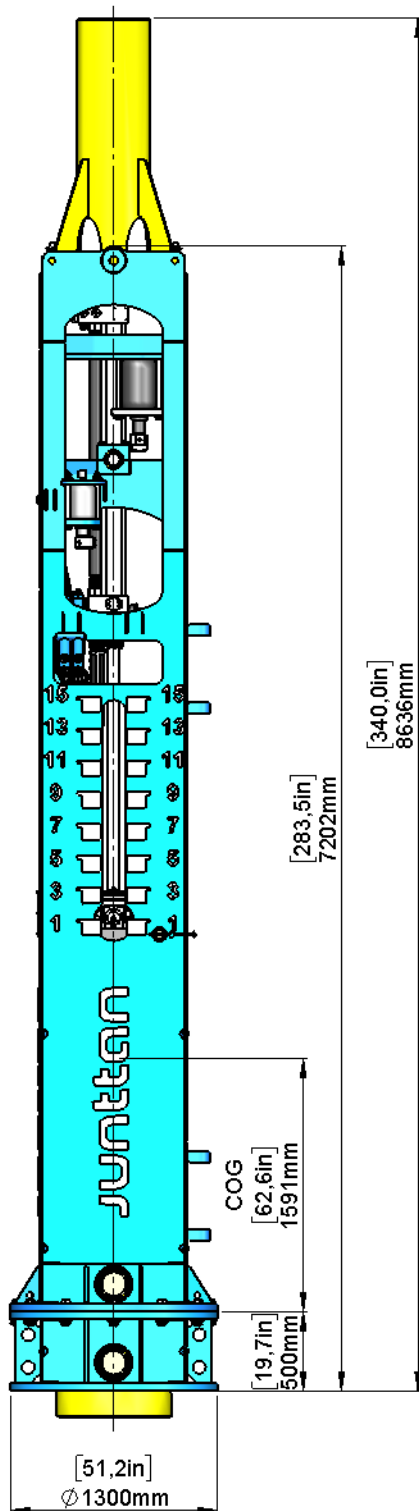
Junttan Oy  
Matkuksentie 7  
70800 Kuopio, FINLAND

Mailing address  
P.O. Box 1702  
70701 Kuopio, FINLAND

junttan@junttan.com  
www.junttan.com

Business ID 0207930-6  
VAT FI02079306

## HHK10/12S



### Weights

Hammer	19 000 kg / 41 900 lb
Ram block weight (Transport weight with top plate)	12 000 kg / 26 450 lb 12 990 kg / 28 650 lb

### Hydraulics' specification

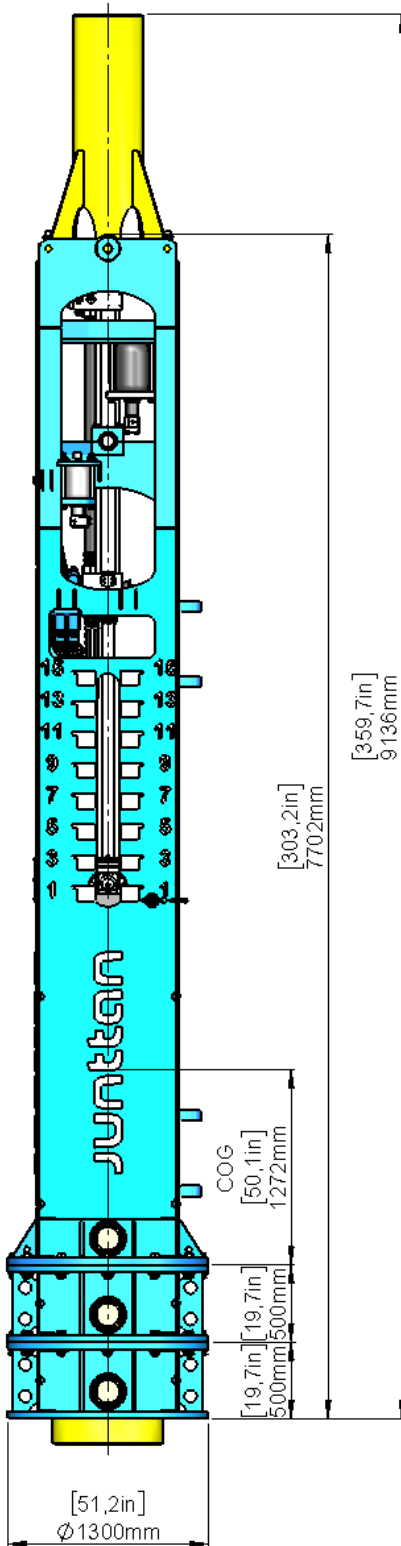
Operating pressure	181 bar / 2 625 psi
Oil flow for 30 bl/min	565 L/min 149 gpm
Pressure accumulators Nitrogen pressure	2 pcs / 10 L / 2,67 gal 98 bar @ 20 °C 1 421 psi @ 68 °F
Return accumulators Nitrogen pressure	2 pcs / 4 L / 1 gal 6 bar @ 20 °C 87 psi @ 68 °F
Pressure hoses	2 x 38 mm 2 x 1½ in
Return hoses	2 x 38 mm 2 x 1½ in

### Performance

Max. energy	177 kNm / 130 914 ft-lb
Blow rate @ 177 kNm / 130 914 ft-lb	30 bl/min
Min. energy	9 kNm / 6 638 ft-lb
Blow rate @ 9 kNm / 6 638 ft-lb	100 bl/min
Stroke	1 500 mm / 5 ft



## HHK10/12/14S



### Weights

Hammer weight 21 800 kg / 48 100 lb

Ram block weight 14 000 kg / 30 850 lb  
(Transport weight with top plate 15 130 kg / 33 350 lb)

### Hydraulics' specification

Operating pressure 211 bar / 3 060 psi

Oil flow for 30 bl/min 565 L/min  
149 gpm

Pressure accumulators 2 pcs / 10 L / 2,67 gal  
Nitrogen pressure 115 bar @ 20 °C  
1 668 psi @ 68 °F

Return accumulators 2 pcs / 4 L / 1 gal  
Nitrogen pressure 6 bar @ 20 °C  
87 psi @ 68 °F

Pressure hoses 2 x 38 mm  
2 x 1½ in

Return hoses 2 x 38 mm  
2 x 1½ in

### Performance

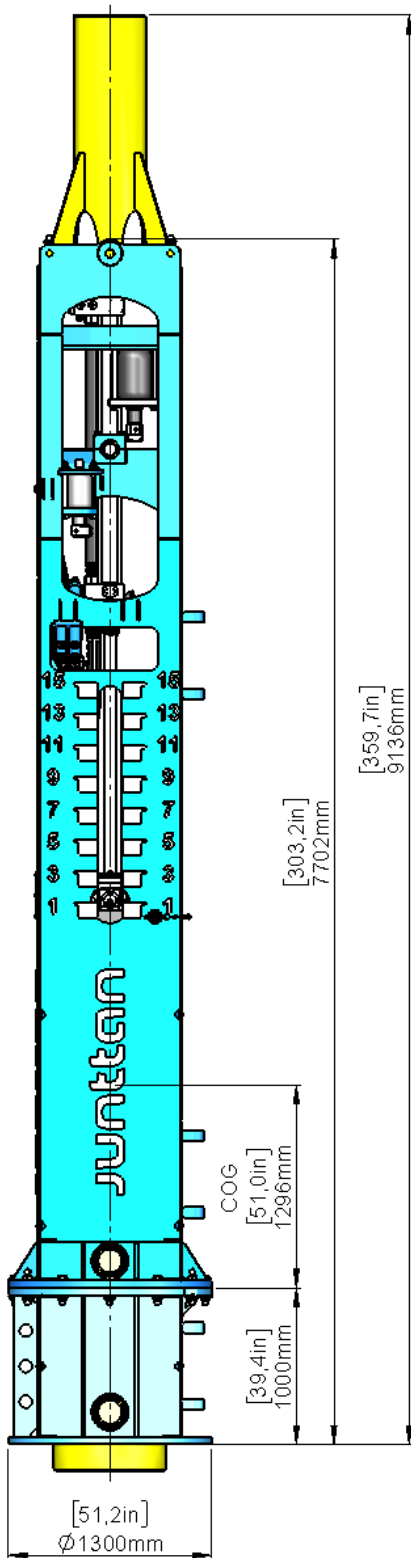
Max. energy 206 kNm / 151 893 ft-lb  
Blow rate @ 206 kNm /  
151 893 ft-lb 30 bl/min

Min. energy 10 kNm / 7 376 ft-lb  
Blow rate @ 10 kNm /  
7 376 ft-lb 100 bl/min

Stroke 1 500 mm / 5 ft



## HHK10/14S



### Weights

Hammer weight 21 500 kg / 47 400 lb

Ram block weight 14 000 kg / 30 850 lb  
(Transport weight with top plate 15 130 kg / 33 350 lb)

### Hydraulics' specification

Operating pressure 211 bar / 3 060 psi

Oil flow for 30 bl/min 565 L/min  
149 gpm

Pressure accumulators 2 pcs / 10 L / 2,67 gal  
Nitrogen pressure 115 bar @ 20 °C  
1 668 psi @ 68 °F

Return accumulators 2 pcs / 4 L / 1 gal  
Nitrogen pressure 6 bar @ 20 °C  
87 psi @ 68 °F

Pressure hoses 2 x 38 mm  
2 x 1½ in

Return hoses 2 x 38 mm  
2 x 1½ in

### Performance

Max. energy 206 kNm / 151 893 ft-lb  
Blow rate @ 206 kNm /  
151 893 ft-lb 30 bl/min

Min. energy 10 kNm / 7 376 ft-lb  
Blow rate @ 10 kNm /  
7 376 ft-lb 100 bl/min

Stroke 1 500 mm / 5 ft



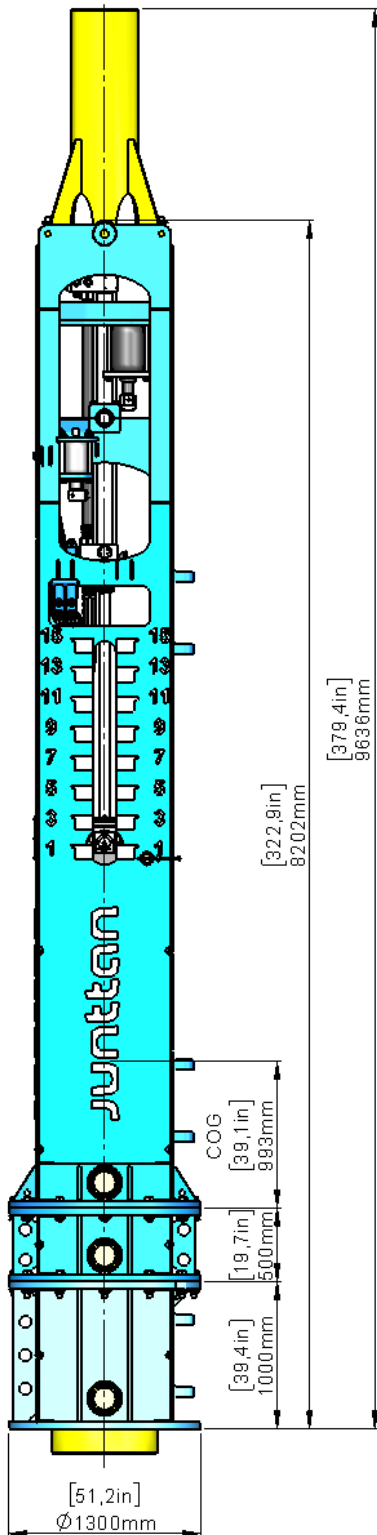
Junttan Oy  
Matkuksentie 7  
70800 Kuopio, FINLAND

Mailing address  
P.O. Box 1702  
70701 Kuopio, FINLAND

junttan@junttan.com  
www.junttan.com

Business ID 0207930-6  
VAT Fi02079306

## HHK10/12/14/16S



### Weights

Hammer weight 24 400 kg / 53 800 lb

Ram block weight 16 000 kg / 35 250 lb  
(Transport weight with top plate 17 260 kg / 38 050 lb)

### Hydraulics' specification

Operating pressure 241 bar / 3 350 psi

Oil flow for 30 bl/min 565 L/min  
149 gpm

Pressure accumulators 2 pcs / 10 L / 2,67 gal  
Nitrogen pressure 131 bar @ 20 °C  
1 900 psi @ 68 °F

Return accumulators 2 pcs / 4 L / 1 gal  
Nitrogen pressure 6 bar @ 20 °C  
87 psi @ 68 °F

Pressure hoses 2 x 38 mm  
2 x 1½ in

Return hoses 2 x 38 mm  
2 x 1½ in

### Performance

Max. energy 235 kNm / 173 592 ft-lb  
Blow rate @ 235 kNm /  
173 592 ft-lb 30 bl/min

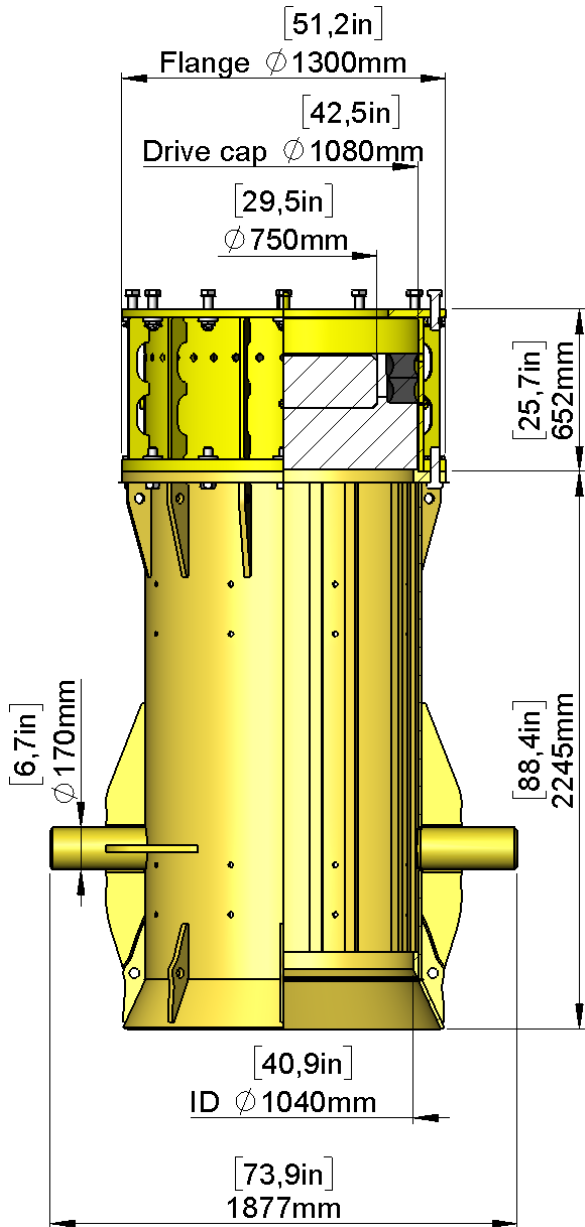
Min. energy 12 kNm / 8 851 ft-lb  
Blow rate @ 12 kNm /  
8 851 ft-lb 100 bl/min

Stroke 1 500 mm / 5ft



# HHK10-16S

## Drive Cap and Pile Guide for OD Ø1016 mm / 40 in pile



### Weights

Total 4 650 kg / 10 250 lb

Total mass includes:

		Junttan nr.
Drive cap housing	790 kg / 1 750 lb	2035040
Drive cap	2 010 kg / 4 440 lb	2037910
Pile sleeve	1 660 kg / 3 660 lb	2049236
Rebound rings	60 kg / 140 lb	357083
Cushion	100 kg / 230 lb	2000286

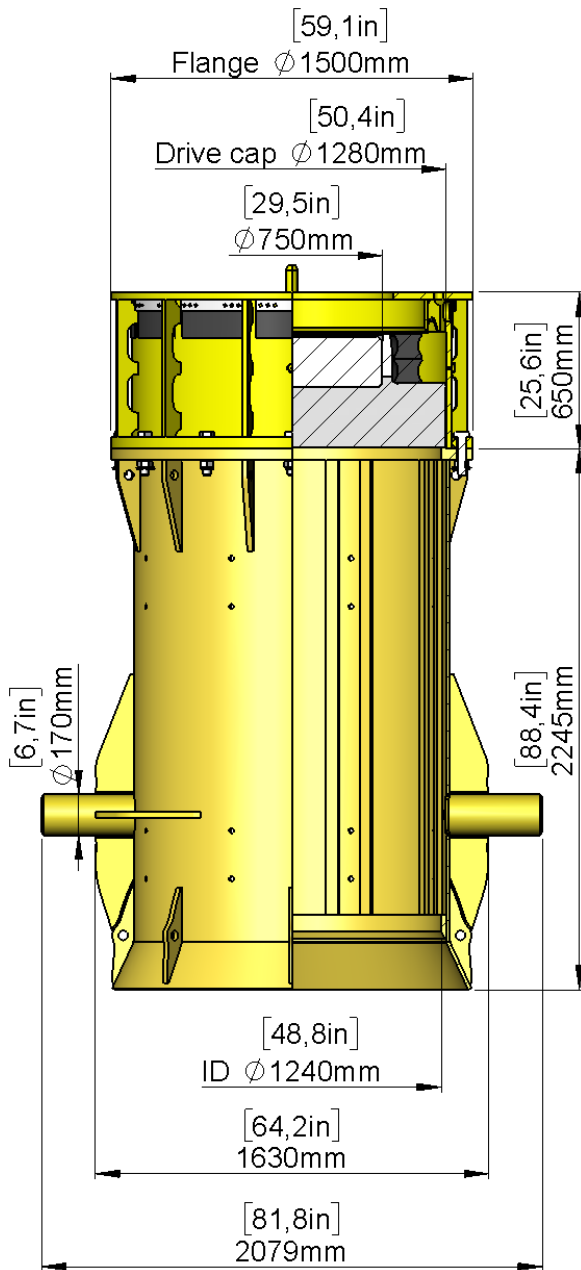
### Accessories

Standard size inserts (8 pcs/pile OD)		
Ø914 mm / 36 in	400 kg / 890 lb	
Ø813 mm / 32 in	600 kg / 1 330 lb	



## HHK10-16S

### Drive Cap and Pile Guide for OD Ø1219 mm / 48 in pile



#### Weights

Total 5 850 kg / 12 900 lb

Total mass includes:

		Junttan nr.
Drive cap housing	980 kg / 2 170 lb	2014924
Drive cap	2 810 kg / 6 200 lb	2006241
Pile sleeve	1 890 kg / 4 170 lb	2038878
Rebound rings	60 kg / 140 lb	357083
Cushion	100 kg / 230 lb	2000286

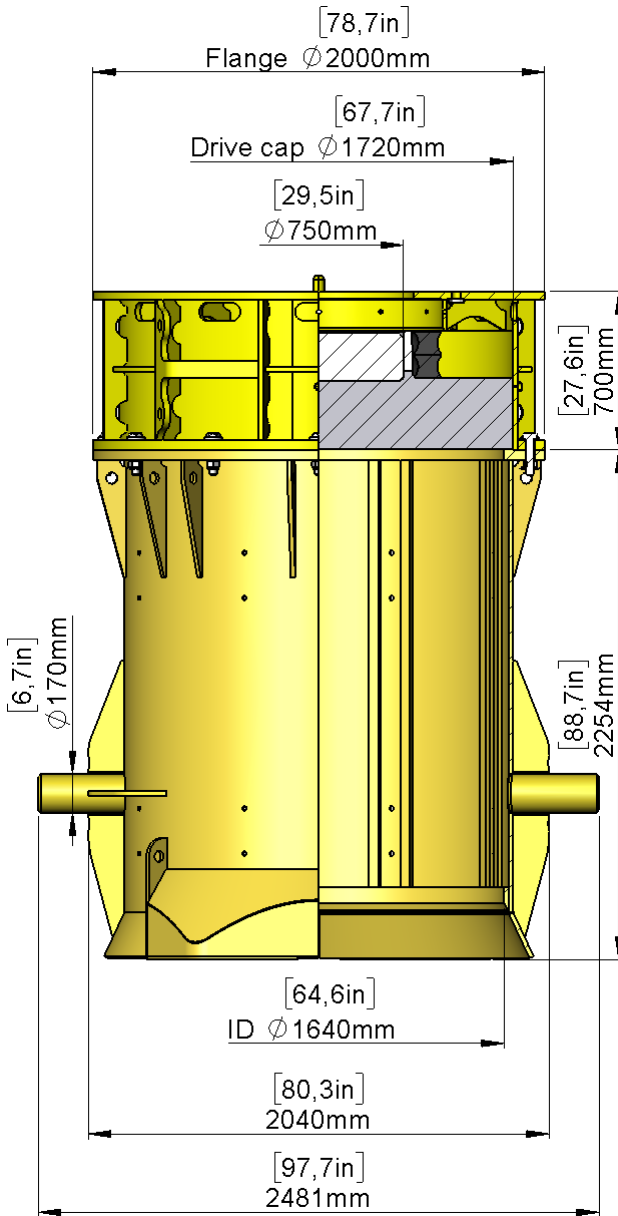
#### Accessories

Standard size inserts (8 pcs/pile OD)		
Ø1020 mm / 40 in	600 kg / 1 330 lb	
Ø914 mm / 36 in	700 kg / 1 550 lb	
Ø820 mm / 32 in	800 kg / 1 770 lb	



## HHK10-16S

### Drive Cap and Pile Guide for OD Ø1625 mm / 64 in pile



#### Weights

Total 11 100 kg / 24 450 lb

Total mass includes:

		Junttan nr.
Drive cap housing	1 960 kg / 4 330 lb	2011581
Drive cap	5 830 kg / 12 860 lb	2011574
Pile sleeve	3 130 kg / 6 910 lb	2036075
Rebound rings	60 kg / 140 lb	357083
Cushion	100 kg / 230 lb	2000286

#### Accessories

Standard size inserts (8 pcs/pile OD)		
Ø1524 mm / 60 in	400 kg / 890 lb	
Ø1420 mm / 56 in	600 kg / 1 330 lb	
Ø1220 mm / 48 in	800 kg / 1 770 lb	





## HHK10S

Max. pile Ø1016 mm / 40 in  
Drive cap Ø1080 mm

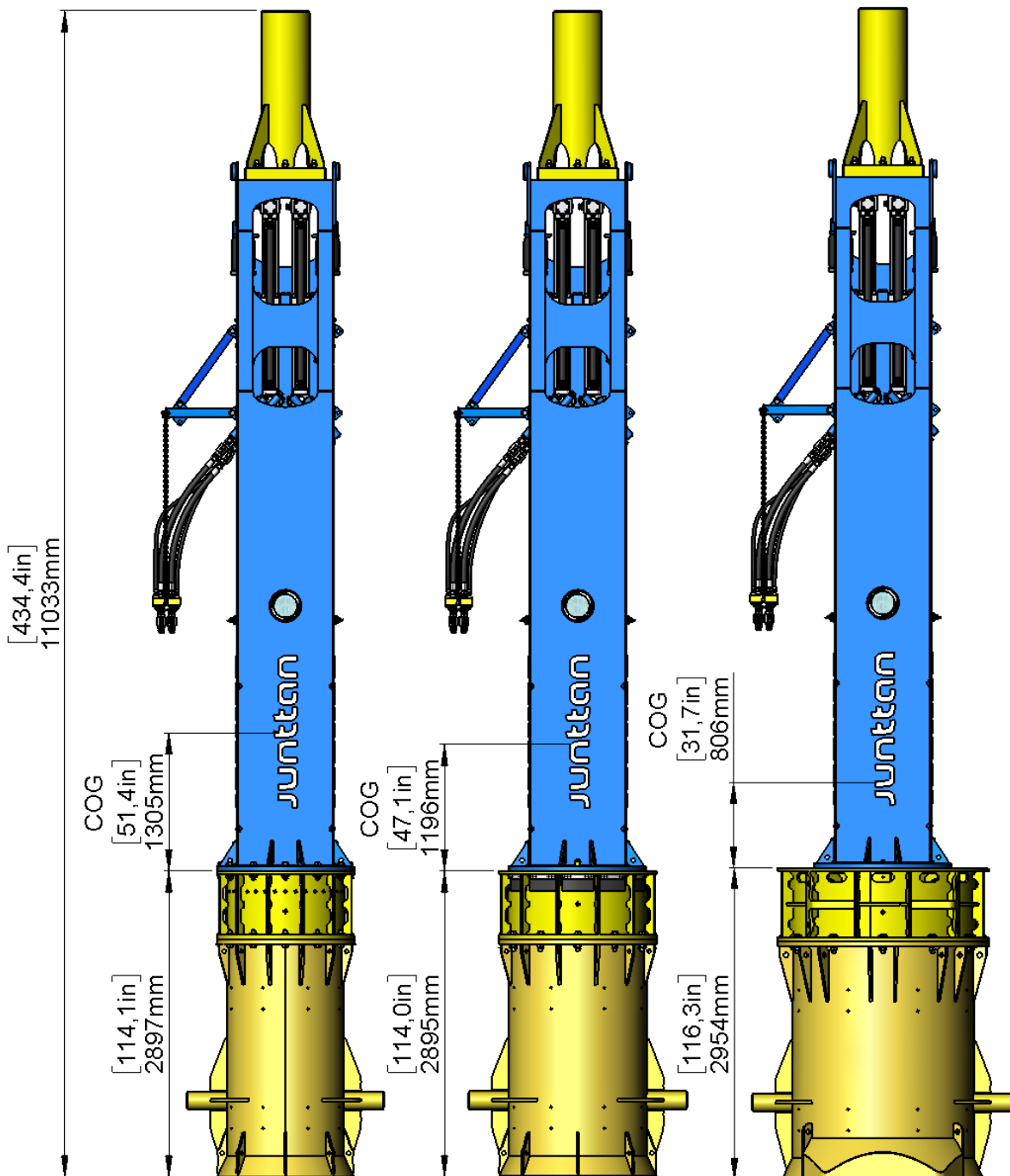
Ø1219 mm / 48 in  
Ø1280 mm

Ø1625 mm / 64 in  
Ø1720 mm

Total mass:  
20 800 kg / 45 850 lb

Total mass:  
22 000 kg / 48 500 lb

Total mass:  
27 200 kg / 59 950 lb



Junttan Oy  
Matkukseentie 7  
70800 Kuopio, FINLAND

Mailing address  
P.O. Box 1702  
70701 Kuopio, FINLAND

junttan@junttan.com  
www.junttan.com

Business ID 0207930-6  
VAT FI02079306

## HHK10/12S

Max. pile Ø1016 mm / 40 in  
Drive cap Ø1080 mm

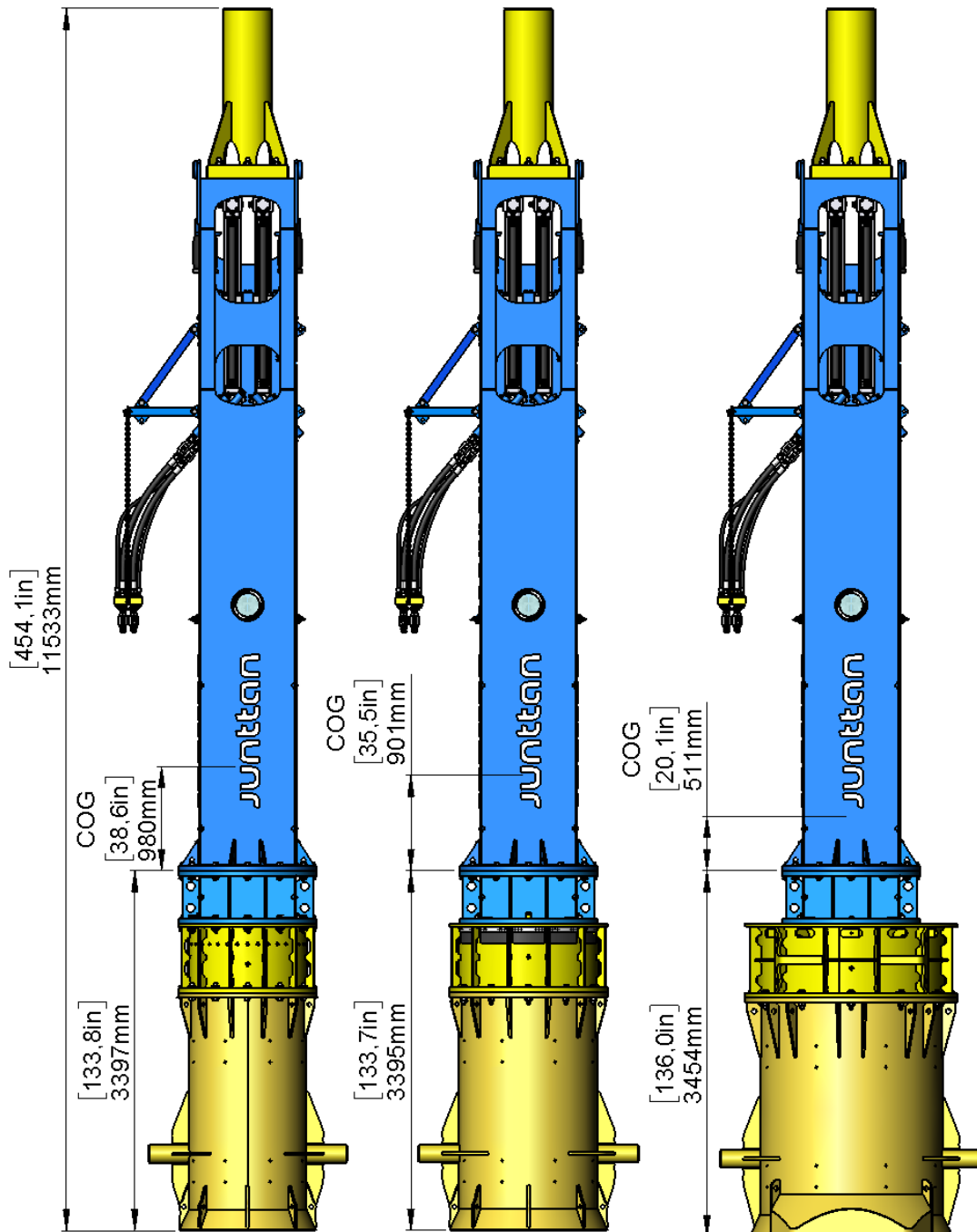
Ø1219 mm / 48 in  
Ø1280 mm

Ø1625 mm / 64 in  
Ø1720 mm

Total mass:  
23 600 kg / 52 000 lb

Total mass:  
24 800 kg / 54 650 lb

Total mass:  
30 100 kg / 66 350 lb



Junttan Oy  
Matkuskentie 7  
70800 Kuopio, FINLAND

Mailing address  
P.O. Box 1702  
70701 Kuopio, FINLAND

junttan@junttan.com  
www.junttan.com

Business ID 0207930-6  
VAT FI02079306

## HHK10/12/14S

Max. pile Ø1016 mm / 40 in  
Drive cap Ø1080 mm

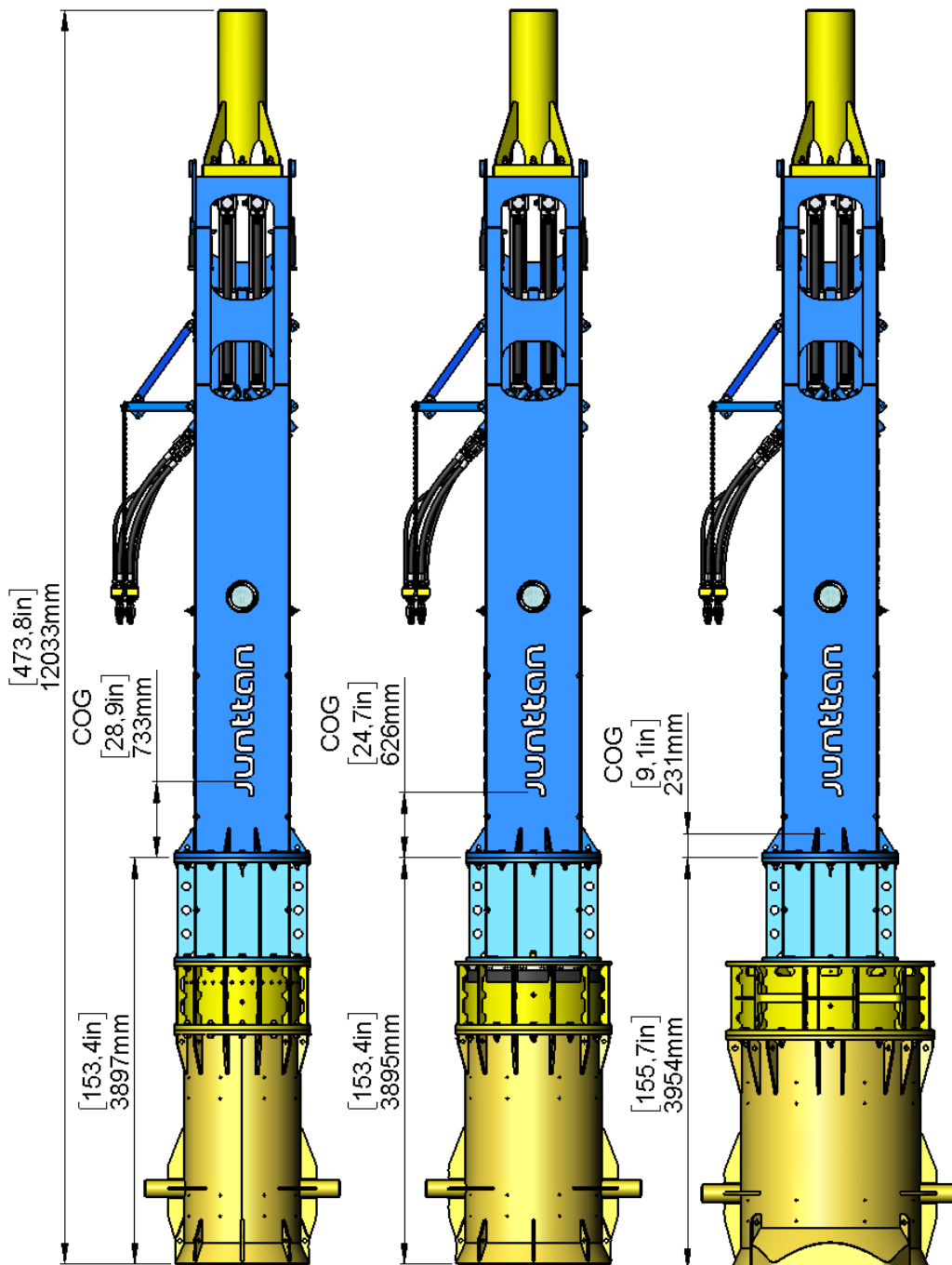
Ø1219 mm / 48 in  
Ø1280 mm

Ø1625 mm / 64 in  
Ø1720 mm

Total mass:  
26 400 kg / 58 200 lb

Total mass:  
27 700 kg / 61 050 lb

Total mass:  
32 900 kg / 72 550 lb



Junttan Oy  
Matkuksestie 7  
70800 Kuopio, FINLAND

Mailing address  
P.O. Box 1702  
70701 Kuopio, FINLAND

junttan@junttan.com  
www.junttan.com

Business ID 0207930-6  
VAT FI02079306

## HHK10/14S

Max. pile Ø1016 mm / 40 in  
Drive cap Ø1080 mm

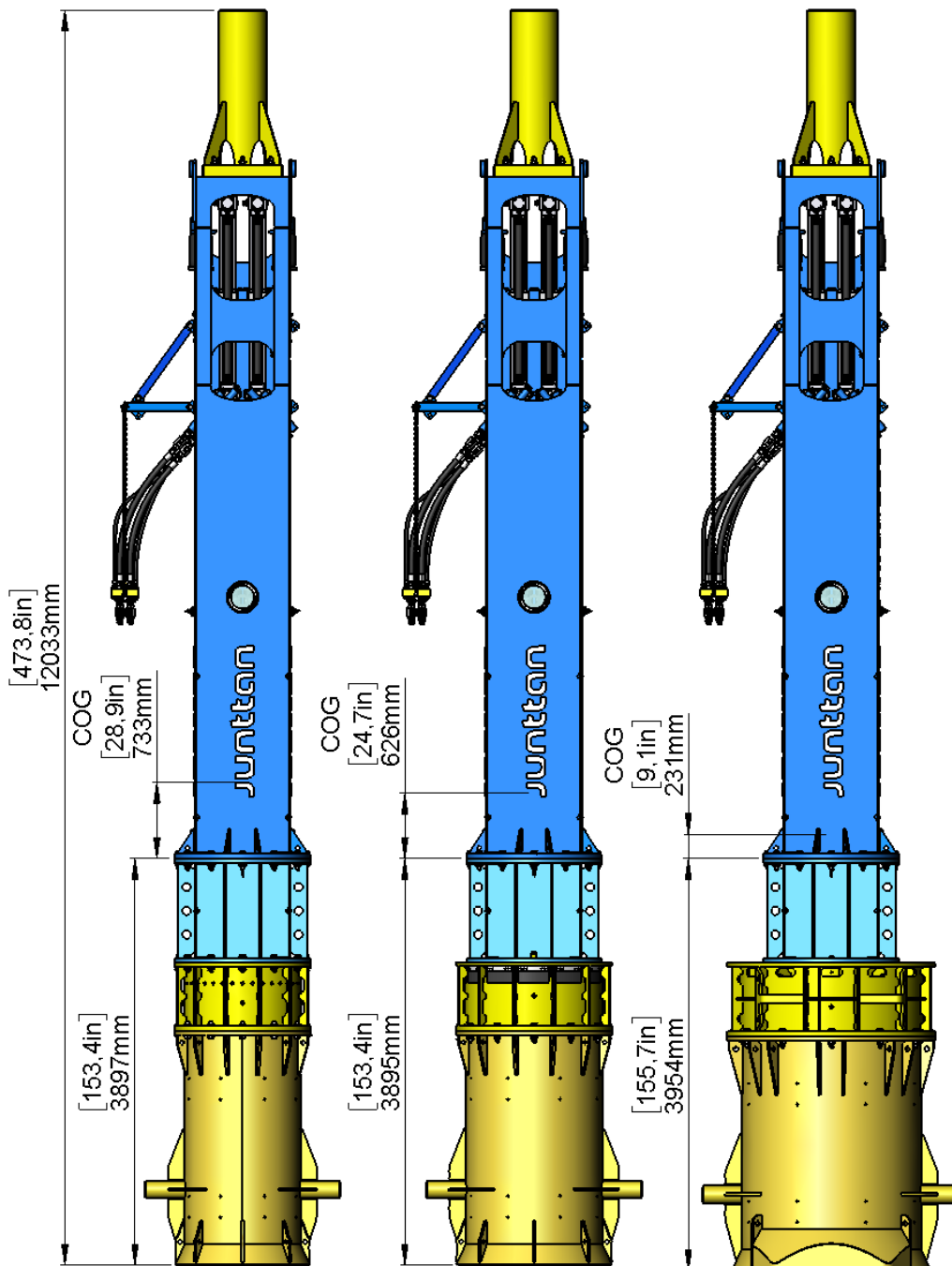
Ø1219 mm / 48 in  
Ø1280 mm

Ø1625 mm / 64 in  
Ø1720 mm

Total mass:  
26 100 kg / 57 550 lb

Total mass:  
27 400 kg / 60 400 lb

Total mass:  
32 600 kg / 71 850 lb



Junttan Oy  
Matkuksentie 7  
70800 Kuopio, FINLAND

Mailing address  
P.O. Box 1702  
70701 Kuopio, FINLAND

junttan@junttan.com  
www.junttan.com

Business ID 0207930-6  
VAT Fi02079306

## HHK10/12/14/16S

Max. pile Ø1016 mm / 40 in  
Drive cap Ø1080 mm

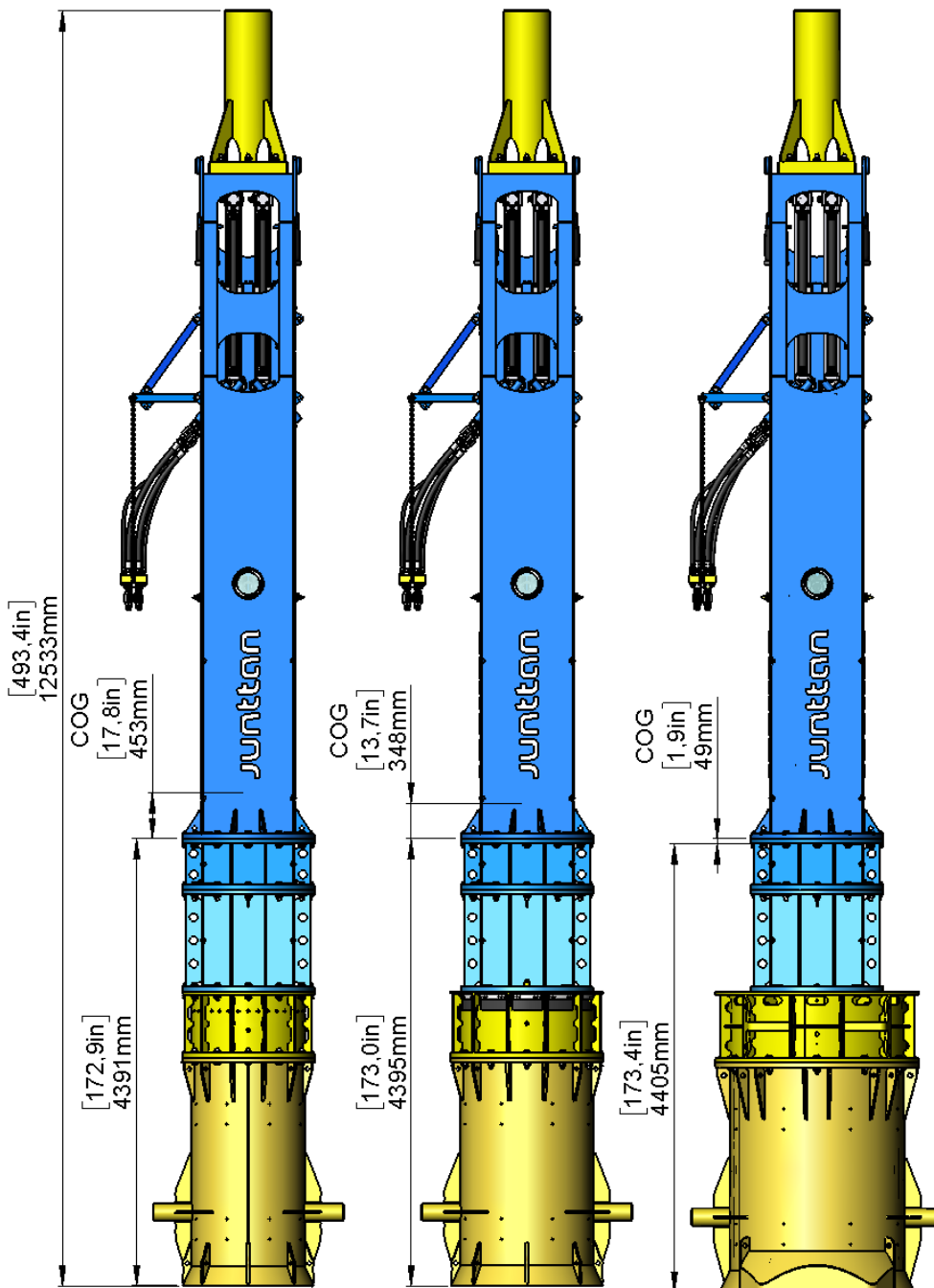
Ø1219 mm / 48 in  
Ø1280 mm

Ø1625 mm / 64 in  
Ø1720 mm

Total mass:  
29 000 kg / 63 950 lb

Total mass:  
30 200 kg / 66 600 lb

Total mass:  
35 400 kg / 78 050 lb



Junttan Oy  
Matkukseentie 7  
70800 Kuopio, FINLAND

Mailing address  
P.O. Box 1702  
70701 Kuopio, FINLAND

junttan@junttan.com  
www.junttan.com

Business ID 0207930-6  
VAT FI02079306