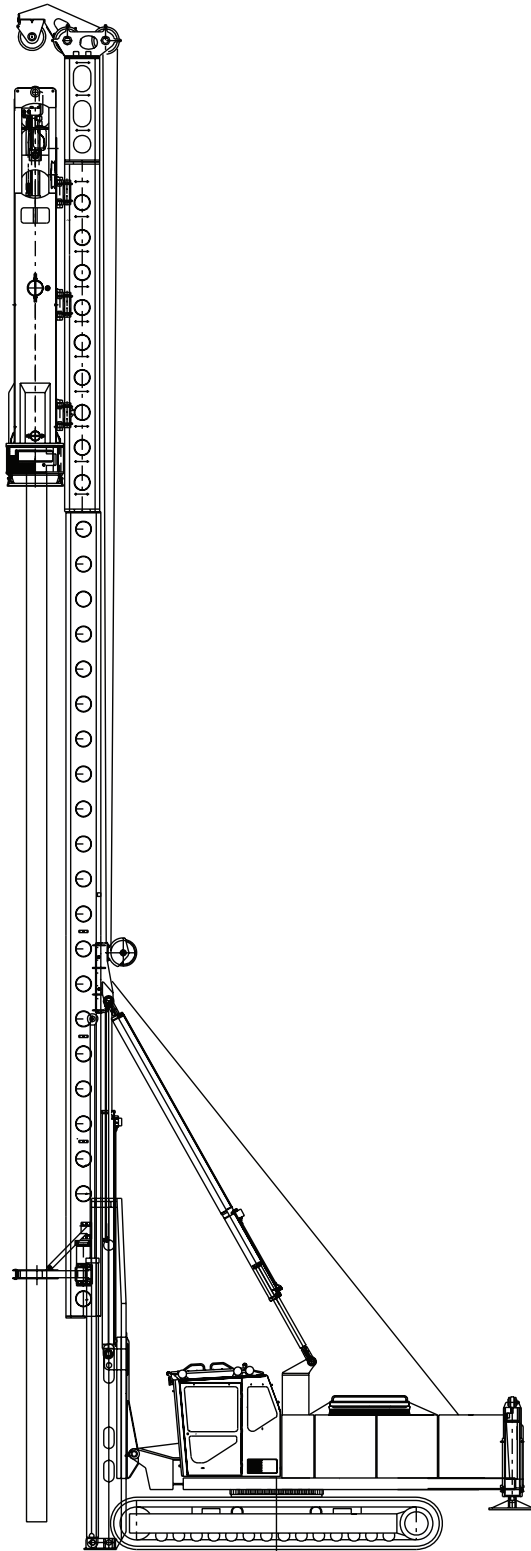


JUNTTAN

Pile Driving Rig

PM25H



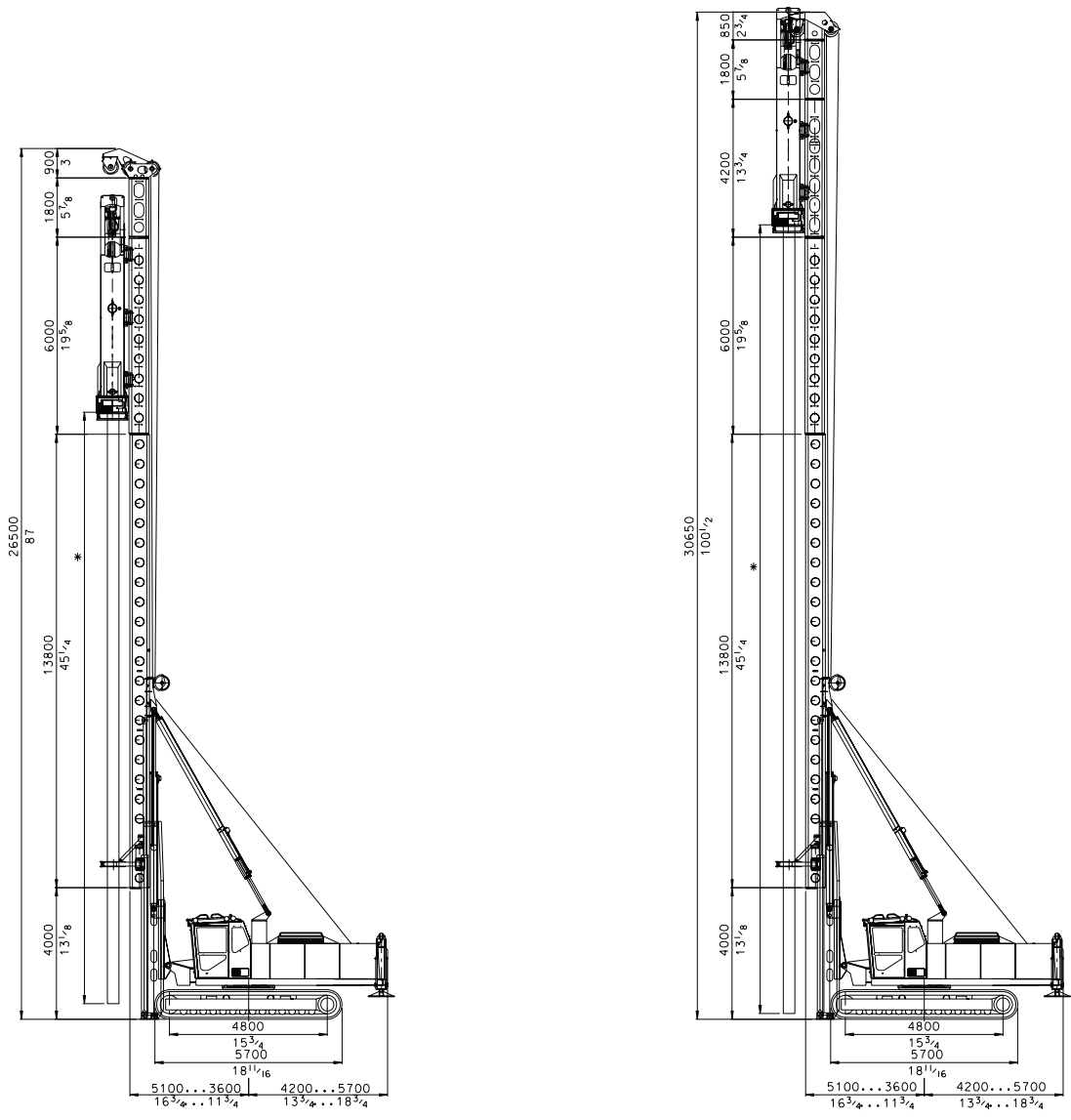
Original
Junttan
product

DATA SHEET

General Information

Junttan PM25H is a medium weight piling rig designed for driving steel and concrete piles. PM25H is Junttan's biggest pile driving rig with telescopic leader for extremely efficient and more powerful for heavy duty use. The rig has excellent stability and wide leader inclination angles. The recommended ram hammer weight is from 5 000 to 9 000 kg and the maximum pile length is 25 meters (82 ft). The rig has proven productivity. The telescopic leader ensures easy and fast handling of piles. Top pile driving performance is guaranteed with Junttan hydraulic hammers. An optional side drill or vibrator hammer makes pile driving even more efficient in some soil conditions. With optional Junttan equipment, optimised working set-up of the rig can be easily achieved.

This Junttan piling rig has the all proven Junttan features. Its rugged design makes it a safe and reliable rig even in the most demanding working conditions. The self-erecting leader and many advanced technical features ensure that the rig is ready to work in just a few minutes. The ergonomic and safety tested cabin allows the driver to concentrate completely on his work. The expandable tracks and low centre of gravity make the rig exceptionally stable in different working situations. The horizontal movement of the leader ensures fast spotting of the pile. In spite of larger size the rig can be still easily transported to a new working site.



Standard PM25H with HHK 7A hammer for pile driving

PM25H with longest available leader configuration and HHK 7A hammer for pile driving

* Pile length depends on the hammer.

Technical Data

Basic features

| | | | |
|---------------------------------|------------|-----------------------|-----------------------|
| Nominal operational weight | | 78 000 kg | 172 000 lb |
| Leader capacity | | 20 000 kg | 44 000 lb |
| Winch capacity | Pile: | 10 000 kg | 22 000 lb |
| | Hammer: | 15 000 kg | 33 100 lb |
| | Auxiliary: | 5 000 kg | 11 000 lb |
| Recommended hammer type | | SHK 110-5 - SHK 110-9 | SHK 110-5 - SHK 110-9 |
| Maximum pile length (SHK 110-5) | | 25 m | 82 ft |

Uppercarriage

| | | | |
|------------------|-----------------|--|---------------------------|
| Type | | Junttan PM25H | |
| Engine | Type: | Cummins QSM11 | |
| | Power: | 280 kW | 376 hp |
| | Fuel tank: | 420 liters | 110 gal |
| Hydraulic system | Max flow: | 2x280 + 120 lpm/2000rpm | 2x42 + 24 gpm/2 000rpm |
| | Max pressure: | 320 bar | 4 640 psi |
| | Cooling system: | 2xT8 coolers | |
| | Oil tank: | 670 liters | 177 gal |
| Slew drive | | Single drive, 1600mm single row slewing ring | |
| Counterweight | Extendable: | 6 000 + 2 000 + 2 000 kg | 13 230 + 4 400 + 4 400 lb |

Leader

| | | | |
|--------------|--|------------------|----------|
| Type | | Telescopic PM25H | |
| Movements | Telescope | 4 000 mm | 158 in |
| | Foot (up/down) | 1 000/500 mm | 40/20 in |
| | Horizontal | 1 500 mm | 59 in |
| Inclinations | According separate capacity tables Electronic inclinometer included | | |

Undercarriage

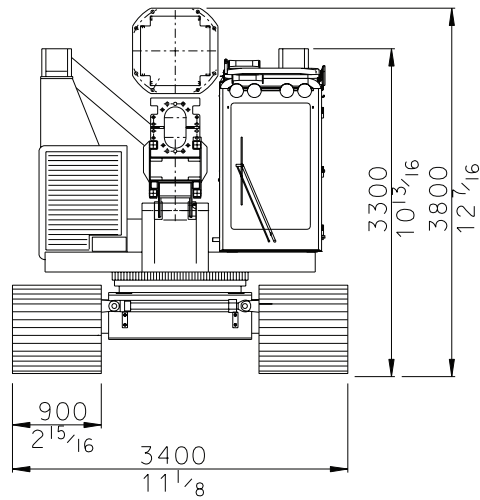
| | | | |
|--------------------|------------|----------------------------|----------------|
| Type | | JH57160 | |
| Crawler length | | 5 700 mm | 225 in |
| Crawler type | | D7A | |
| Width (900 shoes) | Min: | 3 380 mm | 133 in |
| | Max: | 4 880 mm | 192 in |
| Track shoe options | Width: | 800/900/1 000 mm | 31½/35½/39½ in |
| | Surface: | 3-edge / flat edges / flat | |
| | Edge type: | normal / chamfer / bended | |

Accessories

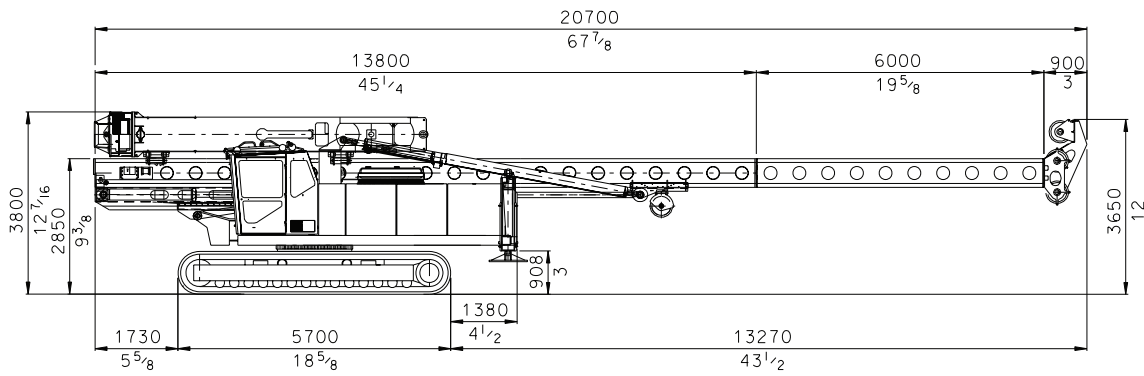
| | | | |
|---------------------|-----|--|---|
| * Side cathead | | | * iPiler PCD |
| * Side auger | JD3 | | * Air conditioning |
| * Rear support legs | | | * Auxiliary winch (5 000kg / 11 000 lb) |

* Contact Junttan sales for all available options and accessories

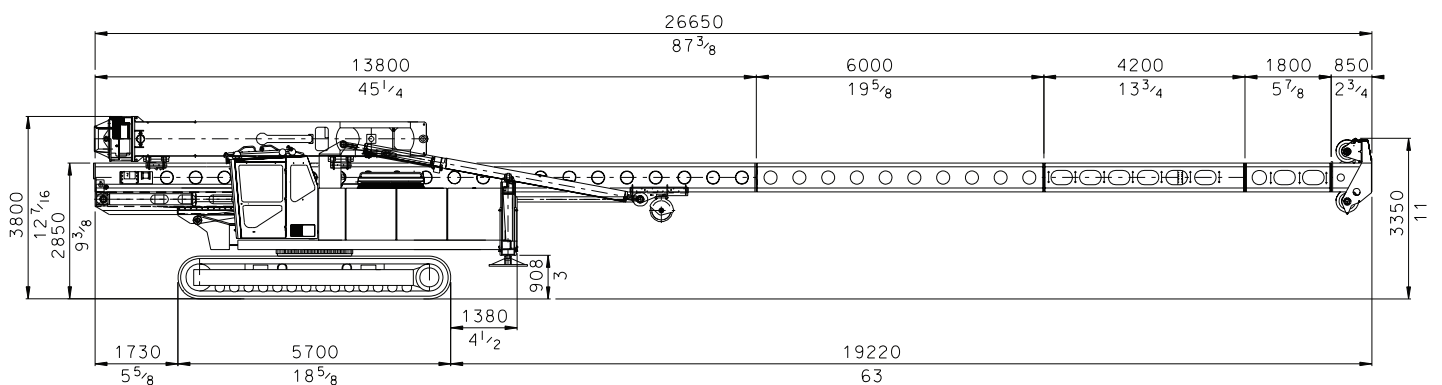
Transport Dimension



Minimum track width.



Standard PM25H transport dimensions with HHK 7A hammer.



PM25H transport dimensions with longest available leader configuration, HHK 7A hammer and side cathead.

Junttan

Junttan Oy
P.O. Box 1702 (Matkuksentie 7)
FI-70701 KUOPIO, Finland

Tel. +358 10 195 221
Fax +358 17 287 4411
junttan@junttan.com