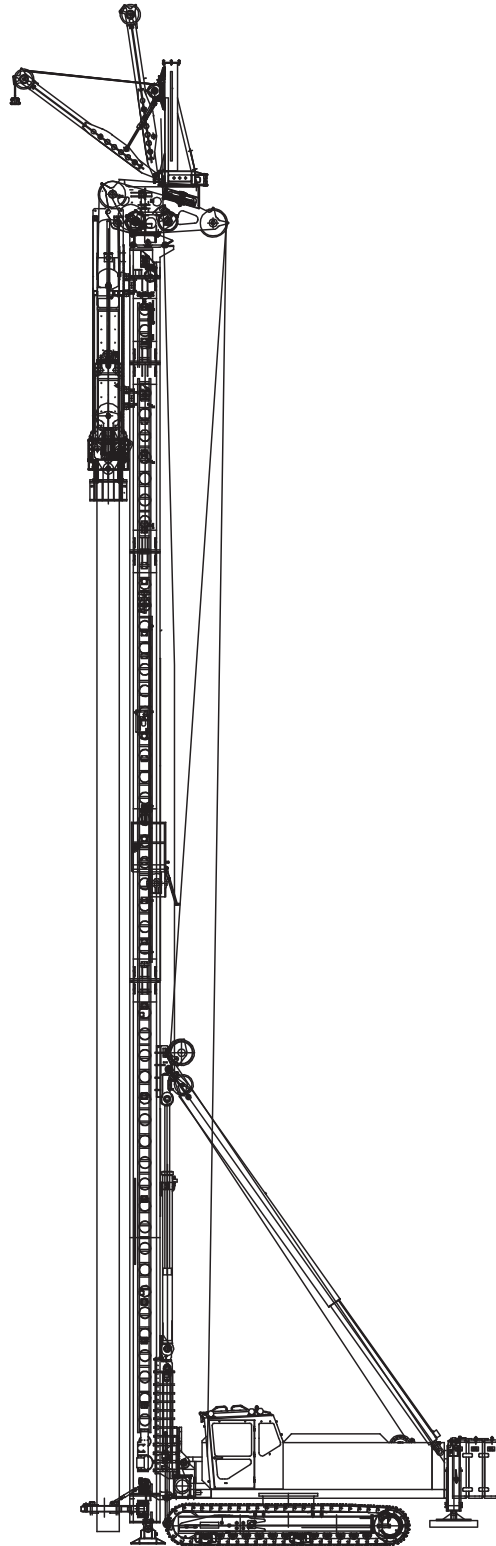


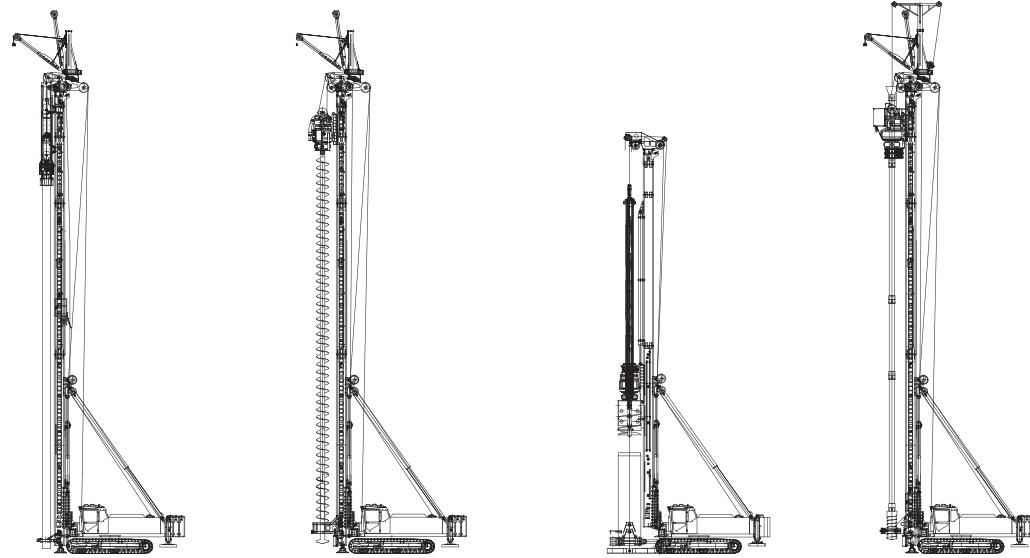
Multipurpose Piling Rig

PM 26



General Information

Junttan PM 26 is a multipurpose piling rig for heavy-duty working. But the rig is still one of the lightest and most efficient in its category. The rig can be equipped with pile driving, driven cast-insitu, displacement, CFA or large diameter piling equipment. The recommended hammer ram weight is from 6 000 to 12 000 kg and the maximum pile length is 25 meters (82 ft). The maximum drilling torque is 400 kNm. The rig has proven productivity due to easy and fast handling of piles and top pile driving performance with Junttan hydraulic hammers and rotary heads. An optional side drill or vibrator hammer makes pile driving even more efficient in some soil conditions. With optional Junttan equipment, optimised working set-up of the rig can be easily achieved.



Multipurpose Piling Rigs

Model PM 26	DCIS	CFA	Kelly	Displacement
Average working weight	95 000 kg (209 500 lb)	100 000 kg (220 500 lb)	100 000kg (220 500 lb)	100 000 kg (220 500 lb)
Leader capacity	30 000 kg (66 100 lb)	30 000 kg (66 100 lb)	30 000 kg (66 100 lb)	30 000 kg (66 100 lb)
Recommended Ram weight	5-7 tons (11 000 - 15 000 lb)			
Max. pile length	24 m (78 ft)	26 m (85 ft)	70 m (230 ft)	32 m (105 ft)
Max. Working tube length	25 m (82 ft)		6 m (casing) (20 ft)	35 m (115 ft)
Max. Pile diameter		1 200 mm (47 in)	2 000 mm (79 in)	810 mm (32 in)
Max.torque		400 kNm	400 kNm	400 kNm
Engine power	388 kw (520 hp)	388 kw (520 hp)	388 kw (520 hp)	388 kw (520 hp)
Winch capacity: Main	25 ton (55 100 lb)	25 ton (55 100 lb)	25 ton (55 100 lb)	25 ton (55 100 lb)
Max.extraction	100 ton (220 500 lb)	100 ton (220 500 lb)	100 ton (220 500 lb)	100 ton (220 500 lb)
Winch capacity: Aux. 1	12 ton (26 500 lb)	12 ton (26 500 lb)	12 ton (26 500 lb)	12 ton (26 500 lb)
Max pull down		36 ton (79 500 lb)	36 ton (79 500 lb)	36 ton (79 500 lb)
Undercarriage: Length	5 700 mm (225 in)	5 700 mm (225 in)	5 700 mm (225 in)	5 700 mm (225 in)
Undercarriage: Width (900 shoes)	3 500 - 4 770 mm (138 - 188 in)	3 500 - 4 770 mm (138 - 188 in)	3 500 - 4 770 mm (138 - 188 in)	3 500 - 4 770 mm (138 - 188 in)

Technical Data

Basic features

Nominal operational weight (driven piles)	95 000 kg	209 500 lb
Leader capacity	30 000 kg	66 100 lb
Winch capacity	Pile:	12 000 kg / 26 500 lb
	Hammer:	25 000 kg / 55 100 lb
	Auxiliary:	5 000 kg / 11 000 lb
Recommended hammer type	SHK 110-5 - HHK 12	SHK 110-5 - HHK 12
Recommended rotary head type	JD40	JD40
Maximum pile length (SHK 110-7)	25 m	82 ft

Uppercarriage

Type	Junttan PM26	
Engine	Type:	Cummins QSX15
	Power:	388 kW / 520 hp
	Fuel tank:	850 liters / 224 gal
Hydraulic system	Max flow:	2x400 + 180 lpm / 2 000rpm / 2x42 + 24 gpm / 2 000rpm
	Max pressure:	350 bar / 4 640 psi
	Cooling system:	3xT7 coolers
	Oil tank:	1 100 liters / 290 gal
Slew drive	Double drive, 1 600 mm single row slewing ring	
Counterweight	Extendable:	4-6x2 000 kg / 4-6x4 400 lb
	Additional:	2x1 000 kg (in rear legs) / 2x2 200 lb

Leader

Type	Fixed PM26	
Movements	Foot (up/down)	1 000/100 mm / 40/4 in
	Horizontal	900 mm / 35½ in
Inclinations	According separate capacity tables Electronic inclinometer included	

Undercarriage

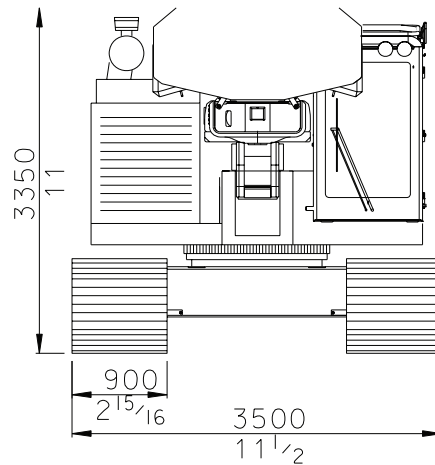
Type	JV57160LC (JV57160MP)	
Crawler length	5 700 mm / 225 in	
Crawler type	D7A (D7E, Driving)	
Width (900 shoes)	Min:	3 492 mm / 138 in
	Max:	4 770 mm / 188 in
Track shoe options	Width:	800/900/1 000 mm / 31½/35½/39½ in
	Surface:	3-edge / flat edges / flat
	Edge type:	normal / chamfer / bended

Accessories

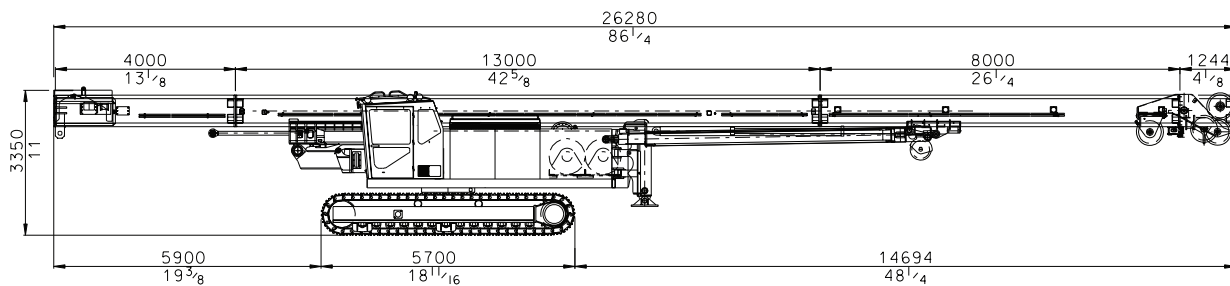
* Side cathead		* iPiler PCD
* Side auger	JD3	* Air conditioning
* Rear support legs		* Auxiliary winch (5 000kg / 11 000 lb)
* Multipurpose options		

* Contact Junttan sales for all available options and accessories

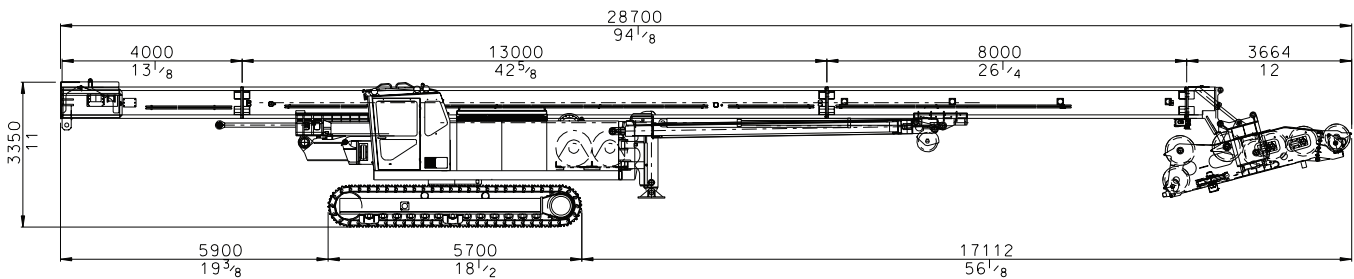
Transport Dimension



Minimum track width.



PM 26 transport dimensions with side cathead.



PM 26 transport dimensions with extraction cathead.

Junttan

Junttan Oy
P.O. Box 1702 (Matkusentie 7)
FI-70701 KUOPIO, Finland

Tel. +358 10 195 221
Fax +358 17 287 4411
junttan@junttan.com