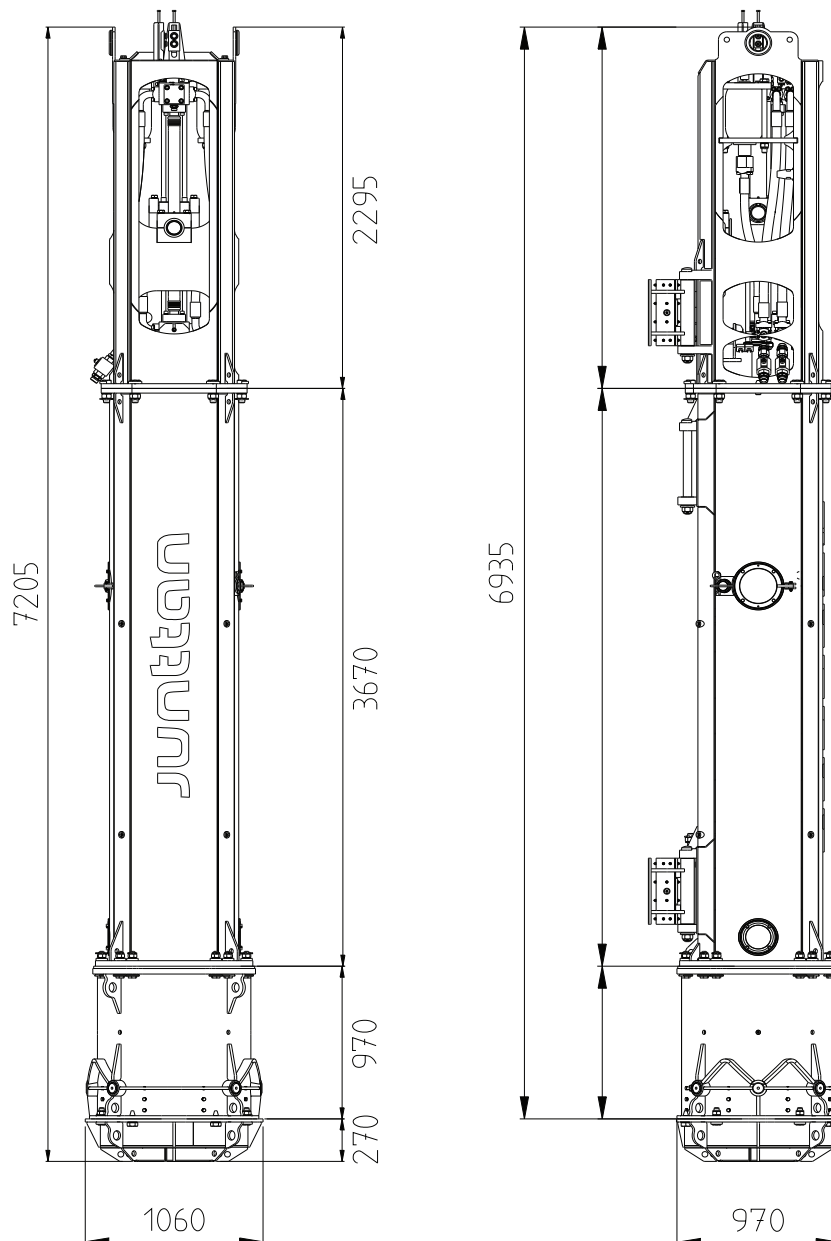


Hydraulic Impact Hammer

SHK 110-7

SHK 110-7/8

SHK 110-7/9



JUNTTAN SHK 110-7

Max. energy		89 kNm	65 621 ft-lb
Max drop height		1,2 m	3,94 ft
Blows per minute		52 - 120 +	52 - 120 +
Ram weight		7 000 kg	15 432 lb
Total weight			
	including noise insulation	11 730 kg	25 860 lb
	without noise insulation	11 510 kg	25 375 lb
Oil flow		456 l/min	120 gpm
Operating pressure		230 bar	3 336 psi
Theoretical power output		128 kW	174 hp
Hoses			
	- pressure line	38 mm	1 ½ inch
	- return line	38 mm	1 ½ inch
Drive cap housing (std)	Ø:	800 mm	31.5 inch
Drive cap types	A-type:	for metal tubes	for metal tubes
	B-type:	for concrete piles	for concrete piles
Drive cap max. inner diameter	A-type:	Ø 770 mm	23.6 inch
	B-type:	□ 470 x 470	18.5 x 18.5
Larger drive cap diameters available on special request			
Suitable Piling Rigs		PMx25, PM25H, PM26/28	PMx25, PM25H, PM26/28
Suitable Powerpacks		10XCU, 15CCU - 30CCU	10XCU, 15CCU - 30CCU

Accessories

* Guide claws	* Lifting cat
* Extensions	* Flying leader
* Energy measurement device	* Additional noise insulation package
* Additional drive caps	* Powerpacks
* Pile sleeves	

Technical details with extensions

JUNTTAN SHK 110-7/8-9	8T	9T	8T	9T
Max. energy	105 kNm	119 kNm	77 417 ft-lb	87 740 ft-lb
Max drop height	1,2 m	1,2 m	4.92 ft	4.92 ft
Blows per minute	52 - 120 +	52 - 120 +	52 - 120 +	52 - 120 +
Ram weight	8 000 kg	9 000 kg	17 654 lb	19 842 lb
Total weight				
	including noise insulation	13 100 kg	14 350 kg	28 881 lb
	without noise insulation	12 880 kg	14 030 kg	28 396 lb
Oil flow	456 l/min	456 l/min	120 gpm	120 gpm
Operating pressure	262 bar	295 bar	3 800 psi	4 279 psi
Theoretical power output	199 kW	224 kW	271 hp	305 hp
Suitable Piling Rigs	PM25H, PM26/28	PM25H, PM26/28	PM25H, PM26/28	PM25H, PM26/28
Suitable Powerpacks	10XCU, 15CCU - 30CCU	10 XCU, 15CCU - 30CCU	10XCU, 15CCU - 30CCU	10XCU, 15CCU - 30CCU

Junttan

Junttan Oy
P.O. Box 1702 (Matkuksentie 7)
FI-70701 KUOPIO, Finland

Tel. +358 10 195 221
Fax +358 17 287 4411
junttan@junttan.com