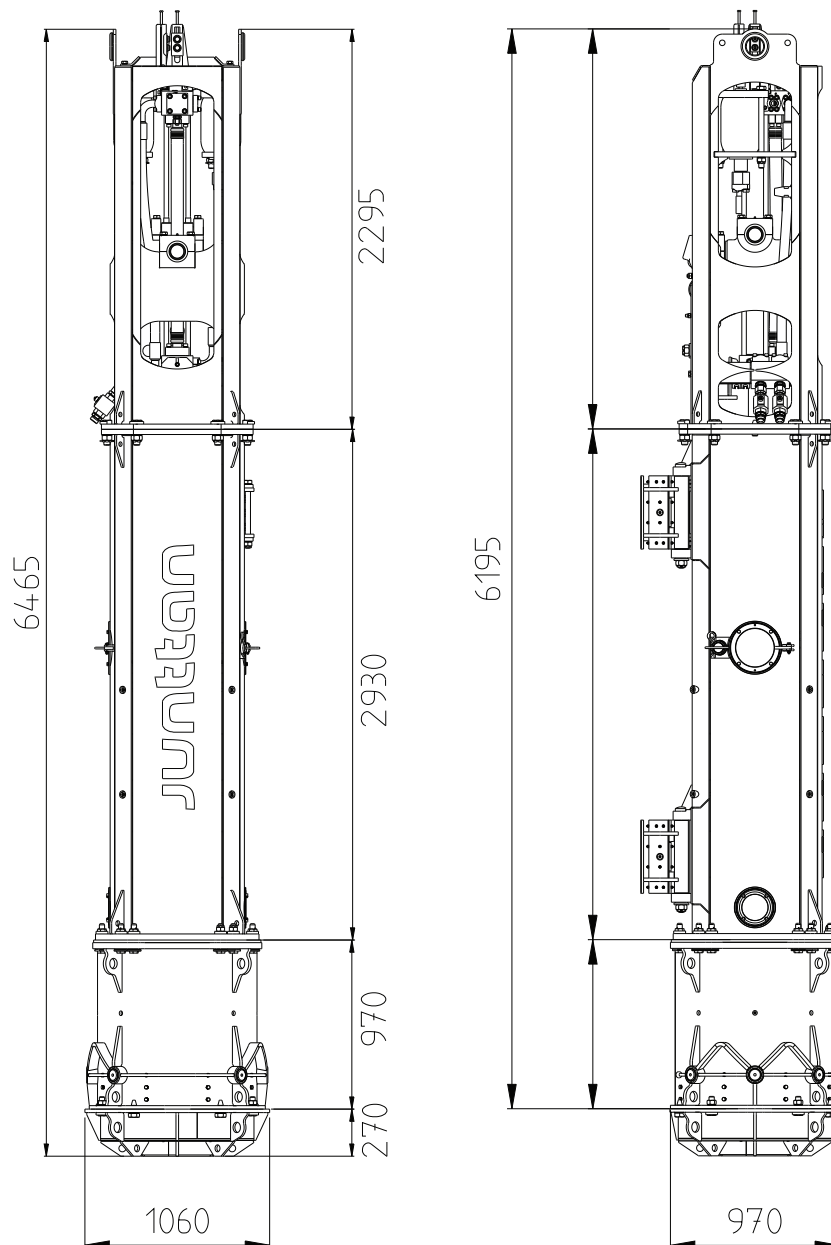


Hydraulic Impact Hammer

SHK 110-5

SHK 110-5/6
SHK 110-5/7
SHK 110-5/6/7/8
SHK 110-5/7/9



JUNTTAN SHK 110-5

| | | | |
|---|----------------------------|-----------------------|-----------------------|
| Max. energy | | 61 kNm | 44 976 ft-lb |
| Max drop height | | 1,2 m | 3.94 ft |
| Blows per minute | | 52 - 120 + | 52 - 120 + |
| Ram weight | | 5 000 kg | 11 023 lb |
| Total weight | | | |
| | including noise insulation | 9 600 kg | 21 164 lb |
| | without noise insulation | 9 380 kg | 20 679 lb |
| Oil flow | | 456 l/min | 120 gpm |
| Operating pressure | | 164 bar | 2 379 psi |
| Theoretical power output | | 125 kW | 170 hp |
| Hoses | | | |
| | - pressure line | 38 mm | 1 ½ inch |
| | - return line | 38 mm | 1 ½ inch |
| Drive cap housing (std) | Ø: | 800 mm | 31.5 inch |
| Drive cap types | A-type: | for metal tubes | for metal tubes |
| | B-type: | for concrete piles | for concrete piles |
| Drive cap max. inner diameter | A-type: | Ø 770 mm | 23.6 inch |
| | B-type: | □ 470 x 470 | 18.5 x 18.5 |
| Larger drive cap diameters available on special request | | | |
| Suitable Piling Rigs | | PMx25, PM25H, PM26/28 | PMx25, PM25H, PM26/28 |
| Suitable Powerpacks | | 10XCU, 15CCU - 30CCU | 10XCU, 15CCU - 30CCU |

Accessories

| | |
|-----------------------------|---------------------------------------|
| * Guide claws | * Lifting cat |
| * Extensions | * Flying leader |
| * Energy measurement device | * Additional noise insulation package |
| * Additional drive caps | * Powerpacks |
| * Pile sleeves | |

Technical details with extensions

| JUNTTAN SHK 110-5/6-9 | 6T | 7T | 8T | 9T | 6T | 7T | 8T | 9T |
|--|----------------------------|-----------------------|----------------|----------------|-----------------------|-----------------------|----------------|----------------|
| Max. energy | 73 kNm | 89 kNm | 105 kNm | 119 kNm | 53 824 ft-lb | 65 621 ft-lb | 77 417 ft-lb | 87 740 ft-lb |
| Max drop height | 1,2 m | 1,2 m | 1,2 m | 1,2 m | 3.94 ft | 3.94 ft | 3.94 ft | 3.94 ft |
| Blows per minute | 52 - 120 + | 52 - 120 + | 52 - 120 + | 52 - 120 + | 52 - 120 + | 52 - 120 + | 52 - 120 + | 52 - 120 + |
| Ram weight | 6 000 kg | 7 000 kg | 8 000 kg | 9 000 kg | 13 228 lb | 15 432 lb | 17 637 lb | 19 842 lb |
| Total weight | | | | | | | | |
| | including noise insulation | 10 900 kg | 12 120 kg | 13 480 kg | 14 550 kg | 24 030 lb | 26 720 lb | 29 077 lb |
| | without noise insulation | 10 680 kg | 11 900 kg | 13 260 kg | 14 330 kg | 23 545 lb | 26 235 lb | 29 233 lb |
| Oil flow | 456 l/min | 456 l/min | 456 l/min | 456 l/min | 120 gpm | 120 gpm | 120 gpm | 120 gpm |
| Operating pressure | 197 bar | 230 bar | 262 bar | 295 bar | 2 857 psi | 3 336 psi | 3 800 psi | 4 279 psi |
| Theoretical power output | 150 kW | 175 kW | 199 kW | 224 kW | 204 hp | 238hp | 271 hp | 305 hp |
| Suitable Piling Rigs | PMx25, PM25H, PM26/28 | PMx25, PM25H, PM26/28 | PM25H, PM26/28 | PM25H, PM26/28 | PMx25, PM25H, PM26/28 | PMx25, PM25H, PM26/28 | PM25H, PM26/28 | PM25H, PM26/28 |
| Suitable Powerpacks (10XCU, 15CCU - 30CCU) | | | | | | | | |

Junttan

Junttan Oy
P.O. Box 1702 (Matkuksentie 7)
FI-70701 KUOPIO, Finland

Tel. +358 10 195 221
Fax +358 17 287 4411
junttan@junttan.com