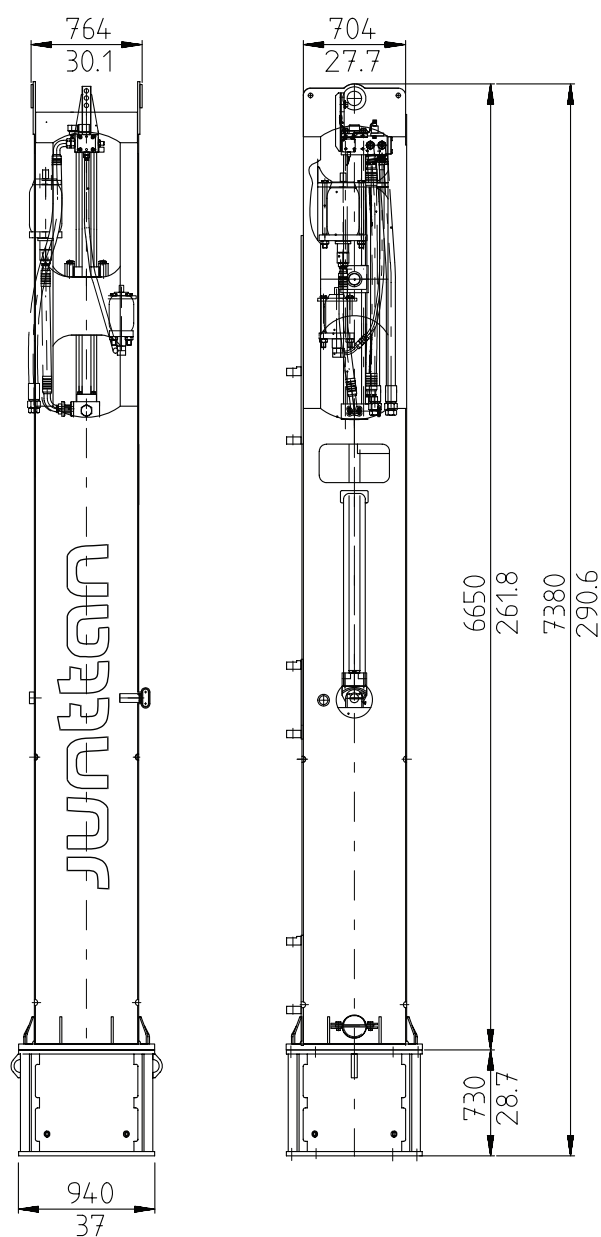


# Hydraulic Impact Hammer

## HHK 7S (938)

HHK 7/9S (938)



## JUNTAN HHK 7S (938)

|   |                            |                                |                                |
|---|----------------------------|--------------------------------|--------------------------------|
| Max. energy   |                            | 103 kNm                        | 75 947 ft-lb                   |
| Max drop height   |                            | 1,5 m                          | 4.92 ft                        |
| Blows per minute  |                            | 30 – 100                       | 30 – 100                       |
| Ram weight  |                            | 7 000 kg                       | 15 432 lb                      |
| Total weight  | including A-type drive cap | 11 400 kg                      | 25 133 lb                      |
| Oil flow  |                            | 328 l/min                      | 87 gpm                         |
| Operating pressure                                      |                            | 203 bar                        | 2 944 psi                      |
| Theoretical power output                                |                            | 111 kW                         | 151 hp                         |
| Hoses   |                            |                                |                                |
|   | – pressure line            | 38 mm                          | 1 ½ inch                       |
|   | – return line              | 38 mm                          | 1 ½ inch                       |
| Drive cap housing (std)                                 | Ø:                         | 880 mm                         | 34.6 inch                      |
| Drive cap types   | A-type:                    | for metal tubes                | for metal tubes                |
|   | B-type:                    | for concrete piles             | for concrete piles             |
| Drive cap max. inner diameter                           | A-type:                    | Ø 850 mm                       | 33.5 inch                      |
|   | B-type:                    | □ 550 x 550 mm                 | 21.5 x 21.5 inch               |
| Larger drive cap diameters available on special request |                            |                                |                                |
| Suitable Piling Rigs                                    |                            | PMx25, PM25H, PM26, PM28, PM30 | PMx25, PM25H, PM26, PM28, PM30 |
| Suitable Powerpacks                                     |                            | 10XCU, 15CCU – 30CCU           | 10XCU, 15CCU – 30CCU           |

## Accessories

|                             |  |  |                                       |
|-----------------------------|--|--|---------------------------------------|
| * Guide claws               |  |  | * Lifting cat                         |
| * Extensions                |  |  | * Flying leader                       |
| * Energy measurement device |  |  | * Additional noise insulation package |
| * Additional drive caps     |  |  | * Powerpacks                          |
| * Pile sleeves              |  |  |                                       |

## Technical details with extensions

| JUNTAN HHK 7/9S          |                            | 9T                      | 9T                      |
|--------------------------|----------------------------|-------------------------|-------------------------|
| Max. energy              |                            | 132 kNm                 | 97 646 ft-lb            |
| Max drop height          |                            | 1,5 m                   | 4.92 ft                 |
| Blows per minute         |                            | 30 – 100                | 30 – 100                |
| Ram weight               |                            | 9 000 kg                | 19 842 lb               |
| Total weight             | including A-type drive cap | 14 000 kg               | 30 865 lb               |
| Oil flow                 |                            | 328 l/min               | 87 gpm                  |
| Operating pressure       |                            | 260 bar                 | 3 771 psi               |
| Theoretical power output |                            | 142 kW                  | 193 hp                  |
| Suitable Piling Rigs     |                            | PM25H, PM26, PM28, PM30 | PM25H, PM26, PM28, PM30 |
| Suitable Powerpacks      |                            | 10XCU, 15CCU – 30CCU    | 10XCU, 15CCU – 30CCU    |

**Junttan**

**Junttan Oy**  
P.O. Box 1702 (Matkuksentie 7)  
FI-70701 KUOPIO, Finland

Tel. +358 10 195 221  
Fax +358 17 287 4411  
junttan@junttan.com