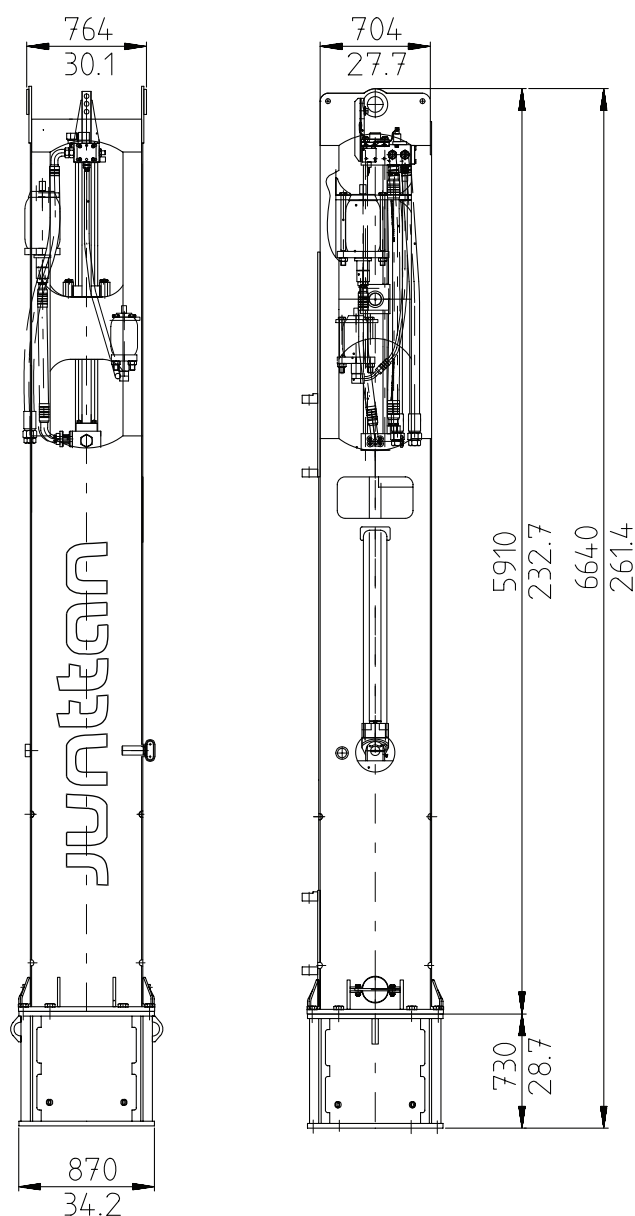


Hydraulic Impact Hammer

HHK 5S

HHK 5/7S
HHK 5/7/9S



JUNTTAN HHK 5S

Max. energy		74 kNm	54 284 ft-lb
Max drop height		1,5 m	4.92 ft
Blows per minute		30 - 100	30 - 100
Ram weight		5 000 kg	11 023 lb
Total weight	including A-type drive cap	9 000 kg	19 842 lb
Oil flow		328 l/min	87 gpm
Operating pressure		145 bar	2 103 psi
Theoretical power output		79 kW	108 hp
Hoses			
	- pressure line	38 mm	1 ½ inch
	- return line	38 mm	1 ½ inch
Drive cap housing (std)	Ø:	880 mm	34.6 inch
Drive cap types	A-type:	for metal tubes	for metal tubes
	B-type:	for concrete piles	for concrete piles
Drive cap max. inner diameter	A-type:	Ø 850 mm	33.5 inch
	B-type:	□ 550 x 550 mm	21.5 x 21.5 inch
Larger drive cap diameters available on special request			
Suitable Piling Rigs	PMx20 - PMx25, PM23, PM25H, PM26 - PM30	PMx20 - PMx25, PM23, PM25H, PM26 - PM30	
Suitable Powerpack	10 XCU, 15CCU - 30CCU	10 XCU, 15CCU - 30CCU	

Accessories

* Guide claws	* Lifting cat
* Extensions	* Flying leader
* Energy measurement device	* Additional noise insulation package
* Additional drive caps	* Powerpacks
* Pile sleeves	

Technical details with extensions

JUNTTAN HHK 5/7/9S	7T	9T	7T	9T
Max. energy	103 kNm	132 kNm	75 947 ft-lb	97 646 ft-lb
Max drop height	1,5 m	1,5 m	4.92 ft	4.92 ft
Blows per minute	30 - 100	30 - 100	30 - 100	30 - 100
Ram weight	7 000 kg	9 000 kg	15 432 lb	19 842 lb
Total weight including A-type drive cap	11 500 kg	14 000 kg	25 353 lb	30 865 lb
Oil flow	328 l/min	328 l/min	87 gpm	87 gpm
Operating pressure	203 bar	260 bar	2 944 psi	3 771 psi
Theoretical power output	111 kW	142 kW	151 hp	193 hp
Suitable Piling Rigs	PMx25, PM25H, PM26 - PM30	PM25H, PM26 - PM30	PMx25, PM25H, PM26 - PM30	PM25H, PM26 - PM30
Suitable Powerpacks	10XCU, 15CCU - 30CCU	10XCU, 15CCU - 30CCU	10XCU, 15CCU - 30CCU	10XCU, 15CCU - 30CCU

Junttan

Junttan Oy
P.O. Box 1702 (Matkuksentie 7)
FI-70701 KUOPIO, Finland

Tel. +358 10 195 221
Fax +358 17 287 4411
junttan@junttan.com