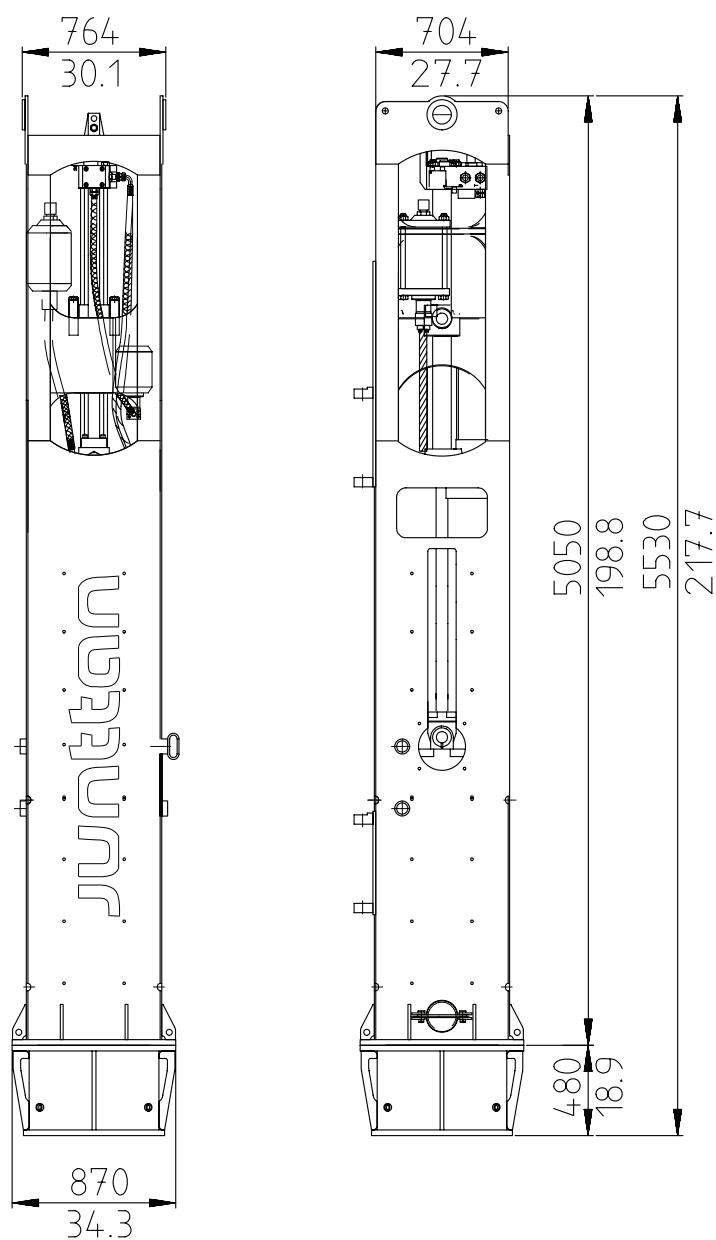


Hydraulic Impact Hammer

HHK 4A

HHK 4/5A
HHK 4/5/6A
HHK 4/6A



JUNTTAN HHK 4A

Max. energy		47 kNm	34 718 ft-lb
Max drop height		1,2 m	3,94 ft
Blows per minute		40 - 100	40 - 100
Ram weight		4 000 kg	8 818 lb
Total weight	including A-type drive cap	7 100 kg	15 653 lb
Oil flow		304 l/min	80 gpm
Operating pressure		141 bar	2 045 psi
Theoretical power output		71 kW	97 hp
Hoses			
	- pressure line	38 mm	1 ½ inch
	- return line	38 mm	1 ½ inch
Drive cap housing (std)	Ø:	650 mm	25.6 inch
Drive cap types	A-type:	for metal tubes	for metal tubes
	B-type:	for concrete piles	for concrete piles
Drive cap max. inner diameter	A-type:	Ø 620 mm	23.6 inch
	B-type:	□ 370 x 370	14.6 x 14.6
Larger drive cap diameters available on special request			
Suitable Piling Rigs		PMx20 - PMx25, PM23, PM25H	PMx20 - PMx25, PM23, PM25H
Suitable Powerpacks		10XCU, 15CCU - 30CCU	10XCU, 15CCU - 30CCU

Accessories

* Guide claws			* Lifting cat
* Extensions			* Flying leader
* Energy measurement device			* Additional noise insulation package
* Additional drive caps			* Powerpacks
* Pile sleeves			

Technical details with extensions

JUNTTAN HHK 4/5-6A	5T	6T	5T	6T
Max. energy	59 kNm	71 kNm	43 398 ft-lb	52 078 ft-lb
Max drop height	1,2 m	1,2 m	3,94 ft	3,94 ft
Blows per minute	40 - 100	40 - 100	40 - 100	40 - 100
Ram weight	5 000 kg	6 000 kg	11 023 lb	13 228 lb
Total weight including A-type drive cap	8 300 kg	9 500 kg	18 298 lb	20 944 lb
Oil flow	304 l/min	304 l/min	80 gpm	80 gpm
Operating pressure	175 bar	211 bar	2 538 psi	3 060 psi
Theoretical power output	89 kW	107 kW	121 hp	145 hp
Suitable Piling Rigs	PMx20 - PMx25, PM23, PM25H	PMx20 - PMx25, PM23, PM25H	PMx20 - PMx25, PM23, PM25H	PMx20 - PMx25, PM23, PM25H
Suitable Powerpacks	10XCU, 15CCU - 30CCU	10XCU, 15CCU - 30CCU	10XCU, 15CCU - 30CCU	10XCU, 15CCU - 30CCU

JUNTTAN

Junttan Oy
P.O. Box 1702 (Matkuksentie 7)
FI-70701 KUOPIO, Finland

Tel. +358 10 195 221
Fax +358 17 287 4411
junttan@junttan.com