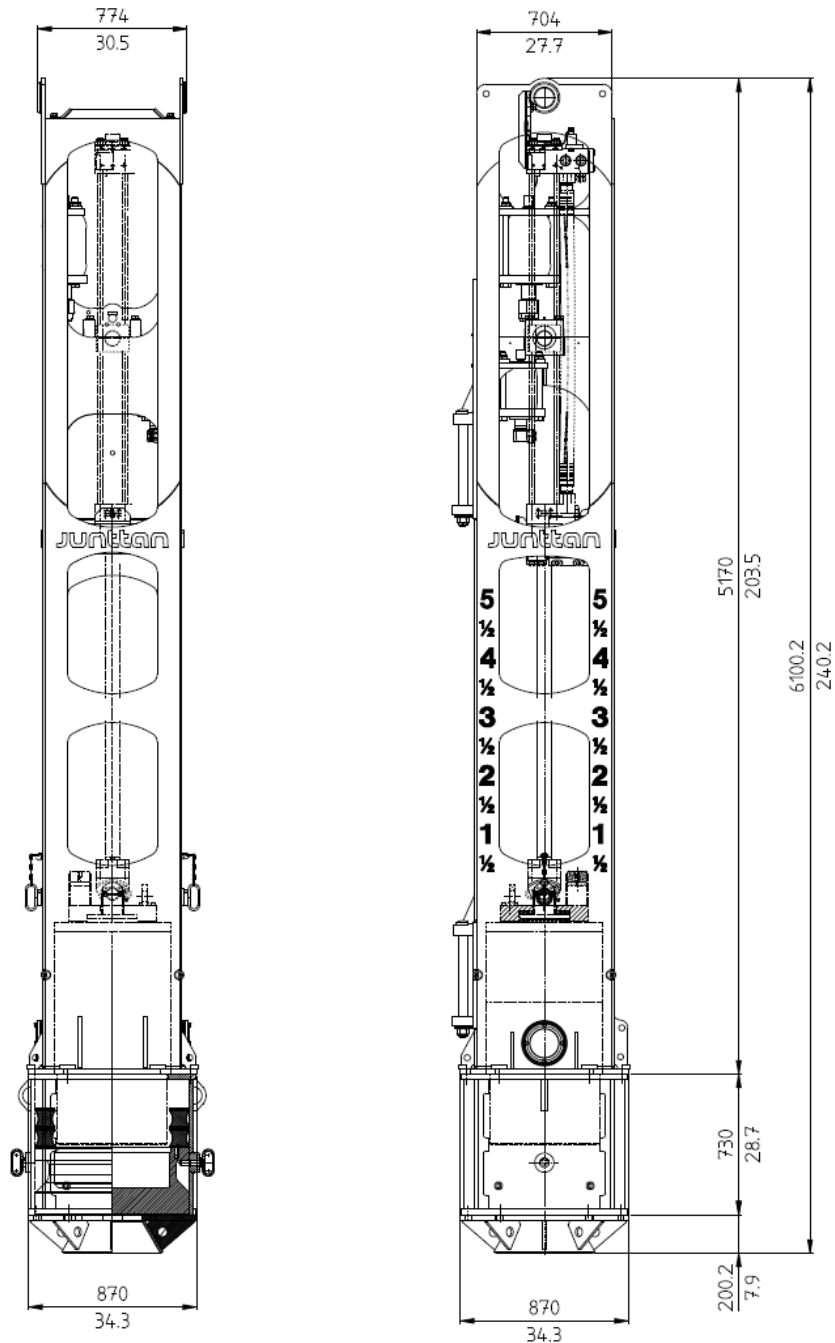


## Hydraulic Impact Hammer HHK 3SL

HHK 3/5SL



## JUNTAN HHK 3SL

Max. energy		44 kNm	43 500 ft-lb
Max drop height		1,5 m	3,94 ft
Blows per minute		40 - 100	40-100
Ram weight		3 000 kg	6 614 lb
Total weight	including A-type drive cap	6 100 kg	13 228 lb
Oil flow		304 l/min	80 gpm
Operating pressure		110 bar	1 595 psi
Theoretical power output		56 kW	76 hp
Hoses			
	- pressure line	38 mm	1 ½ inch
	- return line	38 mm	1 ½ inch
Drive cap housing (std)	Ø:	650 mm	25,6 inch
Drive cap types	A-type:	for metal tubes	for metal tubes
	B-type:	for concrete piles	for concrete piles
Drive cap max. inner diameter	A-type:	Ø 620 mm	23,6 inch
	B-type:	□ 370 x 370 mm	14,6 x 14,6 in
Larger drive cap diameters available on special request			
Suitable Powerpacks		10xCU, 10CCU - 30CCU	10xCU, 10CCU - 30CCU

## Accessories

* Guide claws			* Lifting cat
* Extensions			* Flying leader
* Energy measurement device			* Additional noise insulation package
* Additional drive caps			* Powerpacks
* Pile sleeves			

## Technical details with extensions

### JUNTAN HHK 5SL

Max. energy		74 kNm	54 500 ft-lb
Max drop height		1,5 m	3,94 ft
Blows per minute		40 - 100	40 - 100
Ram weight		5 000 kg	11 000 lb
Total weight	including A-type drive cap	9 200 kg	18 500 lb
Oil flow		304 l/min	80 gpm
Operating pressure		175 bar	2 500 psi
Theoretical power output		89 kW	120 hp
Suitable Powerpacks		10xCU, 10CCU - 30CCU	10xCU, 10CCU - 30CCU

**Junttan**

**Junttan Oy**  
P.O. Box 1702 (Matkuksentie 7)  
FI-70701 KUOPIO, Finland

Tel. +358 10 195 221  
Fax +358 17 287 4411  
junttan@junttan.com